

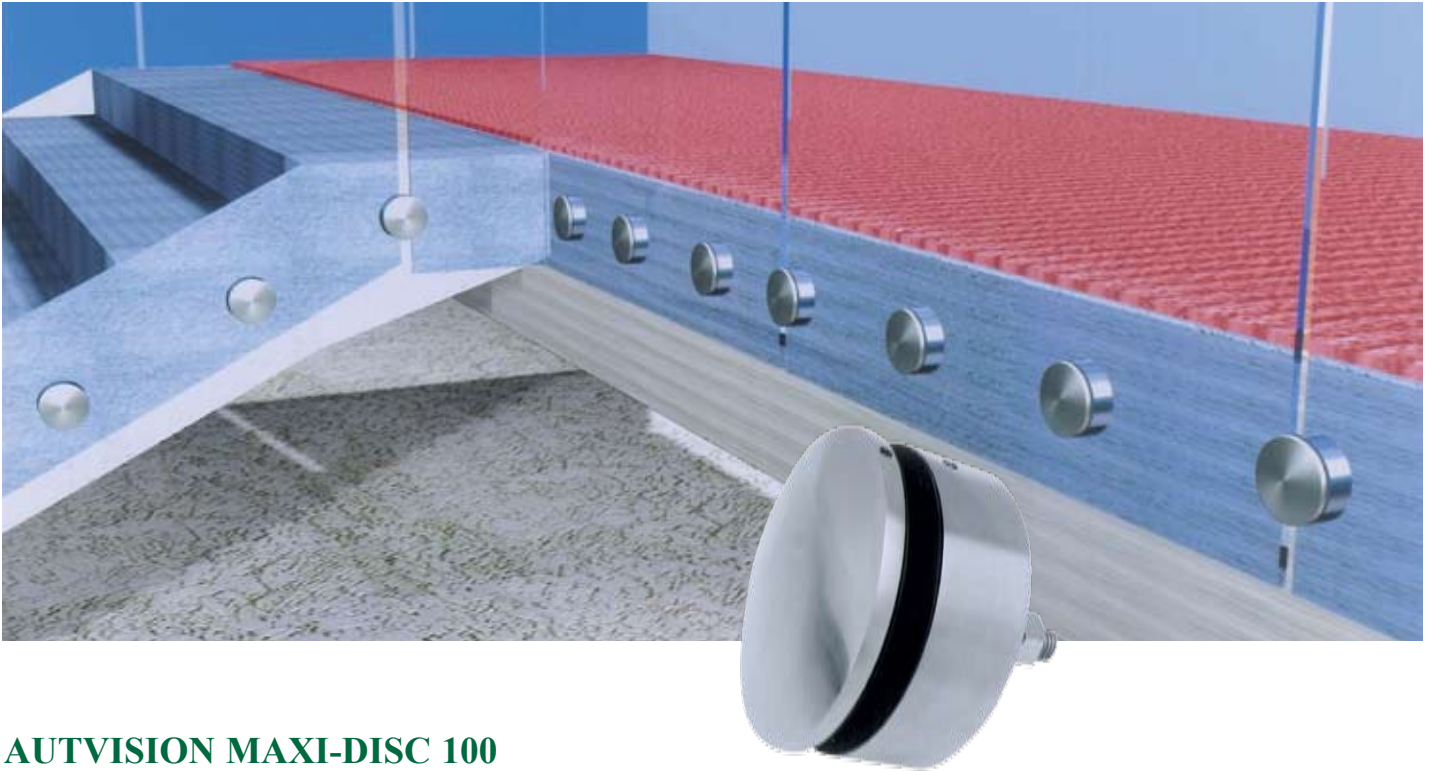


AGA (INT.)
AUSTVISION

Austvision Structural Glass Balustrade Fittings - Cantilevered Glass -

NEW PRODUCT

AUSTVISION MAXI-DISC 100 HIGH STRENGTH STAINLESS STEEL FITTINGS



AUTVISION MAXI-DISC 100

The Austvision Maxi-Disc 100 is a new high strength stainless steel fitting primarily for base fixing cantilever structural balustrades and pool fence applications.

The Maxi-Disc 100 can also be used for other glass fixing solutions including the Austvision Spider Frame System.

The Austvision Maxi-Disc 100 is made by investment casting of Austenitic-ferritic 329 duplex grade high tensile stainless steel. This alloy has superior corrosion resistance and with an ultimate strength of 850MPa and a 2% yield stress 450MPa is twice the yield strength of 316 grade stainless steel which is 220MPa. Standard finish is satin with polished finish available on request.

The Maxi-Disc 100 is circular in shape 100mm in diameter with a radius shaped outer disc for a smooth profiled appearance. It has 3 times more contact surface area than the 50mm diameter disc fitting with the result of an increase in mechanical strength and rigidity. The Maxi-Disc 100 also provides more clamping force due to wider distribution of applied load on the glass panel thereby reducing glass stress.

The Maxi-Disc 100 is fixed at approximately 400 mm centre spacings with a M12 SS fixing to concrete, steel or timber and has a 30mm thick spacer to space the glass off the structure for water flow and cleaning. The Maxi-Disc can be located at the panel joint to assist alignment or 100 mm in from the glass edge.

The Maxi-Disc 100 can be used in conjunction with glass panels selected from Australian Standard AS 1288 and New Zealand Standard NZS 4223: Part 3 and design loads selected from AS/NZS 1170 or NZS 4203.



AUSTVISION

AUSTRALIAN GLASS ASSEMBLIES (INT.) PTY. LTD.

7 Gilby Road, Mt Waverley 3149

Victoria, Australia

Ph: + 613 9544 4377 Fax: + 613 9543 8036

Email: agapl@bigpond.com Website: www.agapl.com.au



AGA (INT.)
AUSTVISION

Austvision Structural Glass Balustrade Fittings - Cantilevered Glass -

NEW PRODUCT

AUSTVISION MAXI-DISC 100 HIGH STRENGTH STAINLESS STEEL FITTINGS

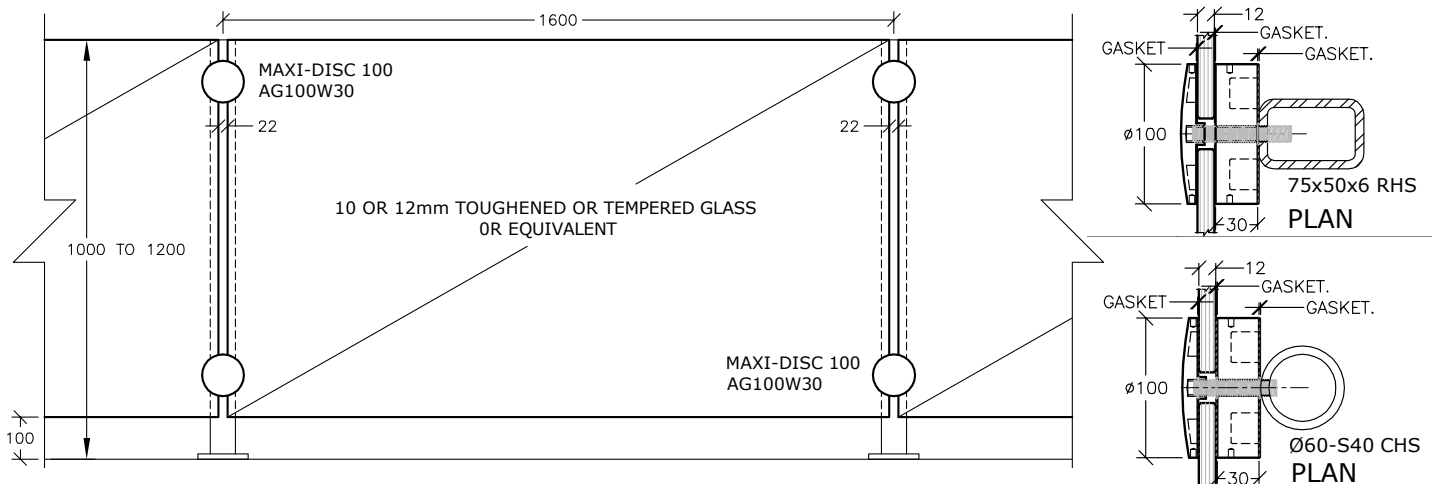
The Austvision Maxi-Disc 100 is suitable for use with glass, poly-carbonate, perspex, PVC sheeting and other similar sheeting materials. Stock fittings are satin stainless finish.



Benefits

- High Strength heavy duty, robust
- Excellent corrosion resistance
- Higher Clamping pressure and rigidity
- Versatile
- Less fixings per metre length
- Connection clamping for alignment
- Can be used on 6 - 19mm toughened glass
- Elegant profile

TWO - EDGE SUPPORT STRUCTURAL BALUSTRADE



AUSTVISION

AUSTRALIAN GLASS ASSEMBLIES (INT.) PTY. LTD.

7 Gilby Road, Mt Waverley 3149

Victoria, Australia

Ph: + 613 9544 4377 Fax: + 613 9543 8036

Email: agapl@bigpond.com Website: www.agapl.com.au