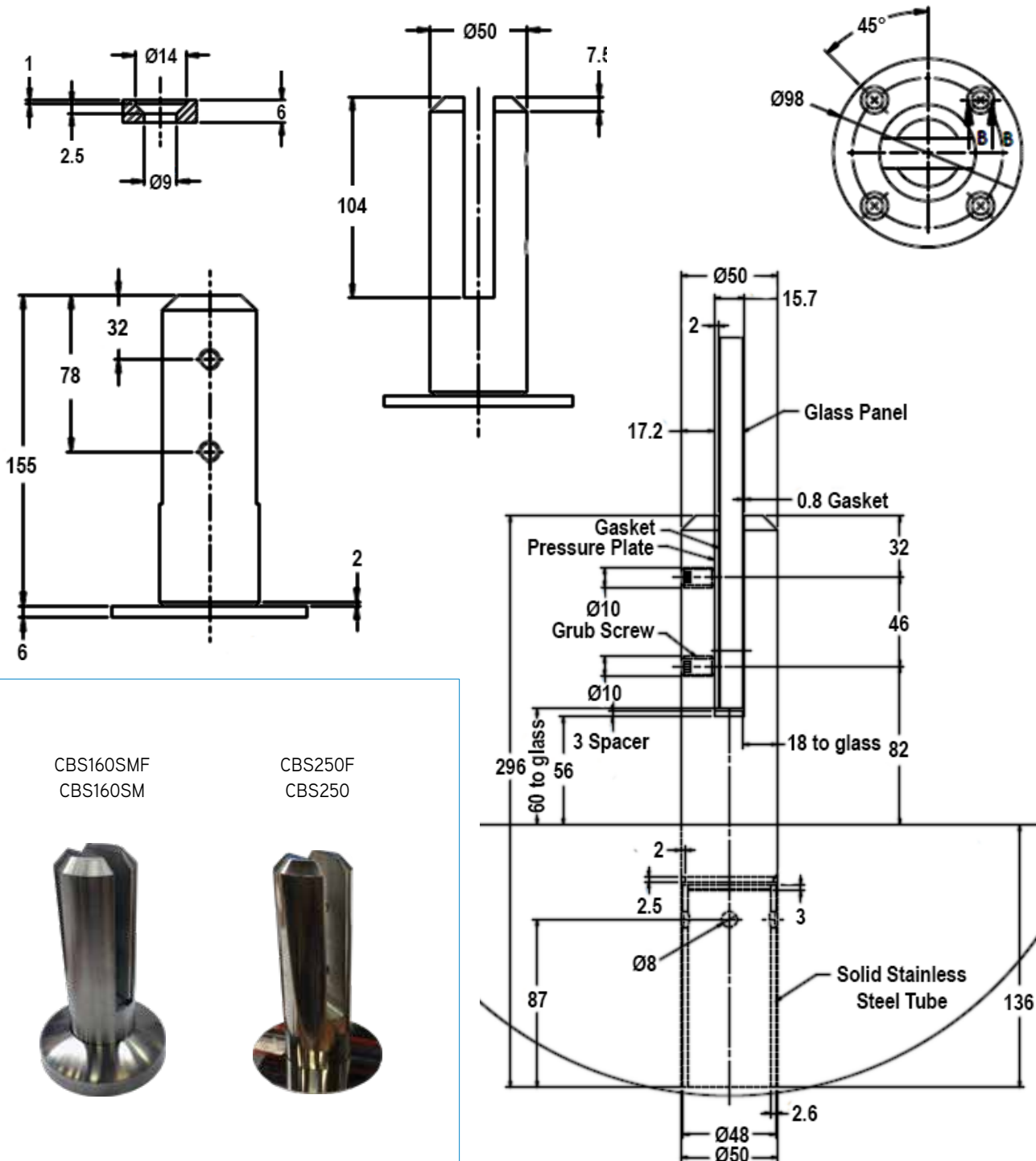


# Concept Spigots

# FRAMELESS GLASS BALUSTRADE & POOL FENCE HARDWARE



CBS160SMF  
CBS160SM

CBS250F  
CBS250



Product Image

Dimensions

## DETAILS

### Concept Surface Mounted & Core Drilled Spigots

- Suitable for 12mm toughened glass
- Allow 60mm under glass to surface
- CBS160SMF & CBS250F are friction fit, therefore no glass preparation required
- CBS160SM & CBS250 require a  $\text{Ø}18\text{mm}$  hole 68mm up and 250mm in from the bottom/end of a panel up to 1400mm wide
- Cover is  $\text{Ø}101\text{mm}$  x 25mm high & Dress ring is  $\text{Ø}100\text{mm}$  x 1.2mm thick

## FINISHES

- Polished
- Satin

Base material: 316L Stainless Steel