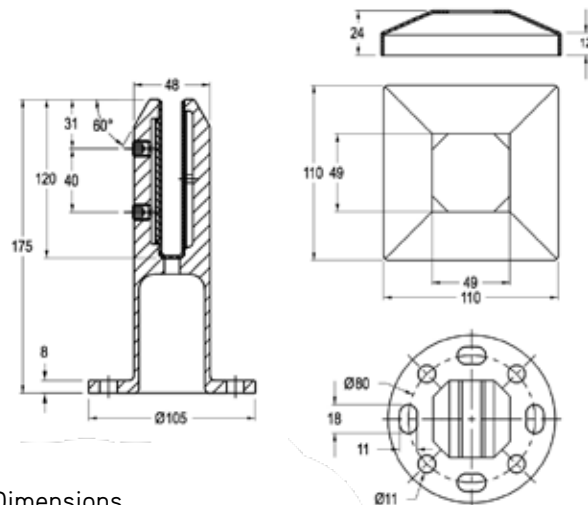




Product Image



Dimensions

DETAILS

Surface Mounted Friction Fit Square Shape Pool Fence/Balustrade Spigot

- Suitable for 12mm toughened glass
- Supplied with square cover
- Optional round cover MSS175SMRC available (see page 8.1c)
- Pool fence spigot is lighter in weight & not suitable for Balustrades
- Allow 60mm under glass to surface

FINISHES

- Polished
- Satin
- Matt Black Powder Coat

Base material: 2205 Stainless Steel