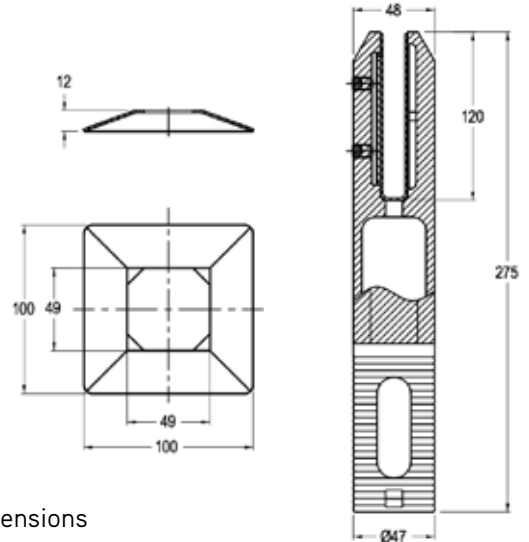


# MSS275F

# FRAMELESS GLASS BALUSTRADE & POOL FENCE HARDWARE



Product Image



Dimensions

## DETAILS

### Core Drilled Friction Fit Square Shape Pool Fence/Balustrade Spigot

- Suitable for 12mm toughened glass
- Supplied with raised square dress plate
- Pool fence spigot is lighter in weight & not suitable for Balustrades
- Allow 50mm under glass to surface

## FINISHES

- Polished
- Satin
- Matt Black Powder Coated

Base material: 2205 Stainless Steel