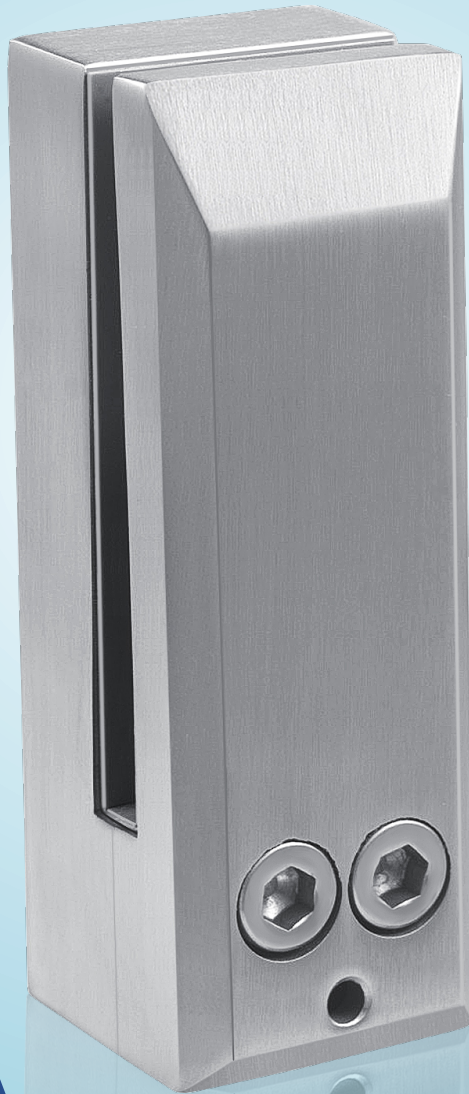


SMARTER SPIGOT



CODE SSC1470

PATENT NUMBER

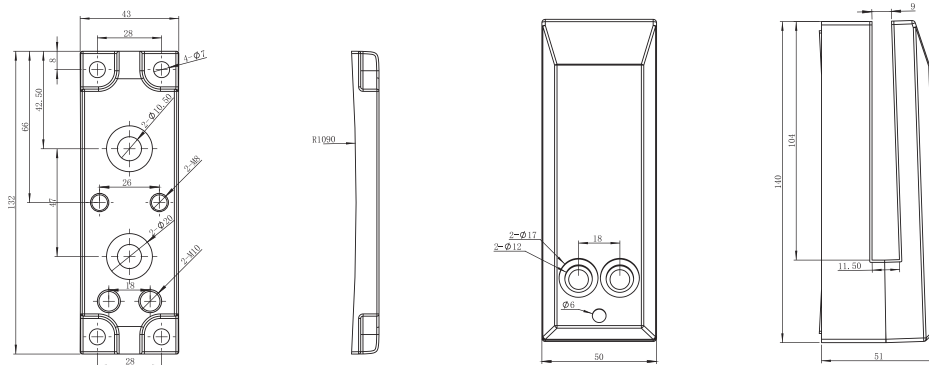
Australia: 2016102084

China: ZL 2015 2 1040927.4



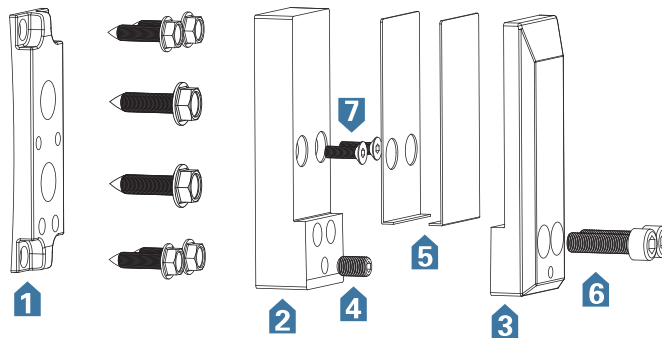
SMARTER SPIGOT

ENGINEERING DRAWING



INSTALLATION INSTRUCTION

- 1 Wall bracket
- 2 Adjustable body
- 3 Surface cover
- 4 Adjustment grub screw
- 5 Spacers
- 6 Threaded bolts
- 7 Countersunk screws



Step 1. Drill and fix the wall bracket

Using the wall bracket to mark out the hole positions, and drill holes accordingly. Then fix the Wall Bracket on the wall and tighten firmly.

Step 2. Fix the adjustable body

Using countersunk screws to fix the adjustable body to wall bracket, and tighten with Allen Key.

Step 3. Fix the surface cover

Put surface cover on wall bracket. Don't tighten too firmly as glass need room to be inserted.

Step 4. Install glass panel

Insert glass panel inside Smarter Spigot, and adjust the glass panel to make it plumb.

A. To deflect inward, turn clockwise the adjustment grub screw to secure glass panel in place then tighten firmly the threaded bolts.

B. To deflect outward, turn anti-clockwise the adjustment grub screw to secure glass panel in place then tighten firmly the threaded bolts.

Finished

