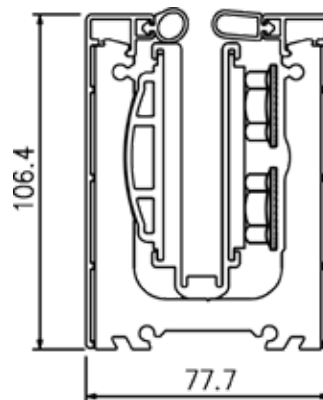


106BFUC-M

FRAMELESS GLASS BALUSTRADE & POOL FENCE HARDWARE



Product Image



Dimensions

DETAILS

106 Ultra-Tilt Base Fixed Channel System in 5800mm length

- Suitable for 12/15mm toughened & 12.76-15.04mm SGP with 15 x glass clamps
- Suitable for 16.76-17.52mm SGP with 20 x glass clamps
- Supplied with 2 x Full Covers including rubber & 3 x 100mm gap rubbers
- Up to 30mm tilt adjustment from inside of the balustrade, backward and forward
- Patented Rotating Pressure Plate System
- Glass clearance from underside of channel is 25mm
- Download brochure, engineering, installation instructions/videos from our website

FINISHES

- Mill Aluminium Full Covers for Powder Coating
- Brushed Anodised Channel

Base material:
6063 T6 Grade Aluminium