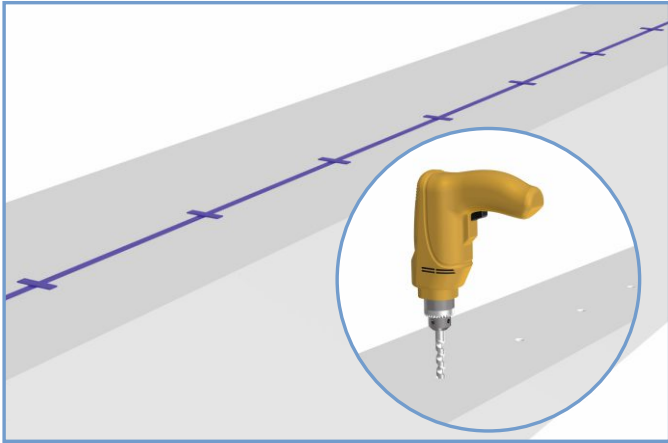
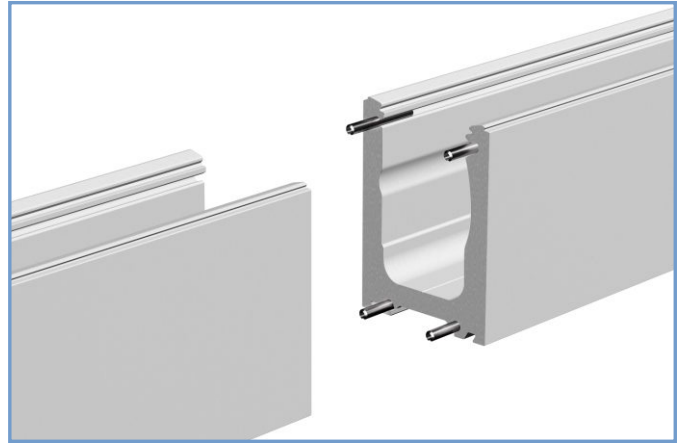


TOP FIXED BASE RAIL (106BFUC) INSTALLATION INSTRUCTION

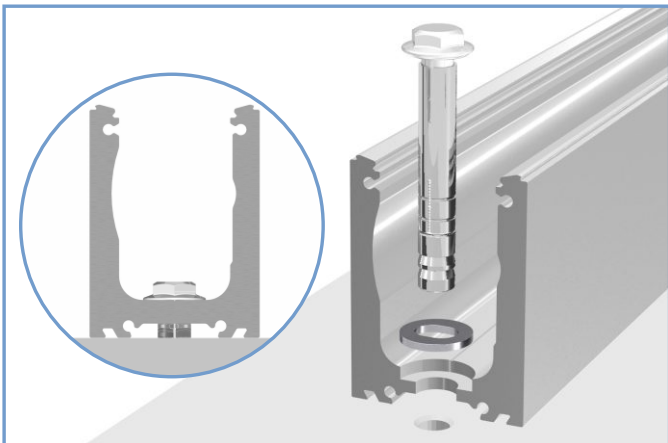
- ① Mark position of holes as per your base rail and drill holes.



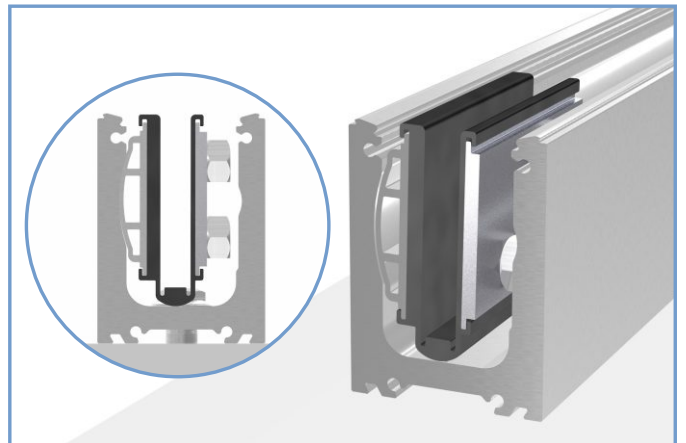
- ② Connect the base rail with aligning pins.



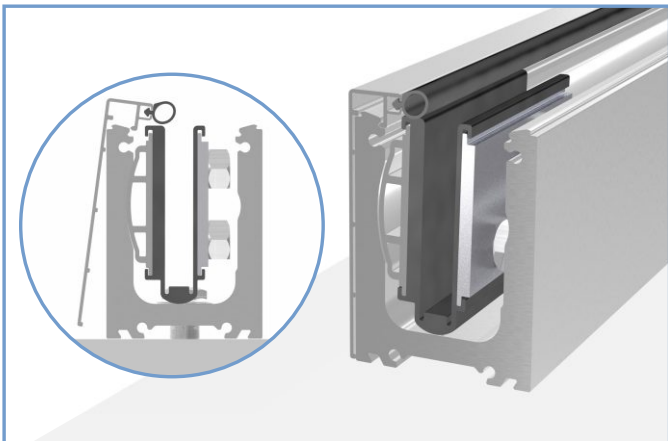
- ③ Position base rail and secure bolts with torque.



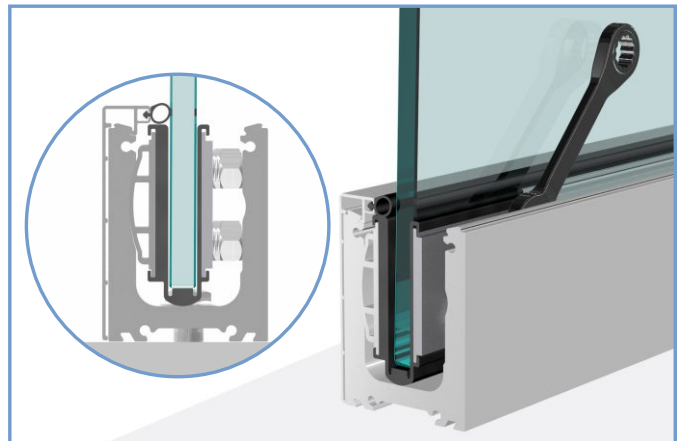
- ④ Install clamping kits.



- ⑤ Fit cladding on the outer side of base rail.



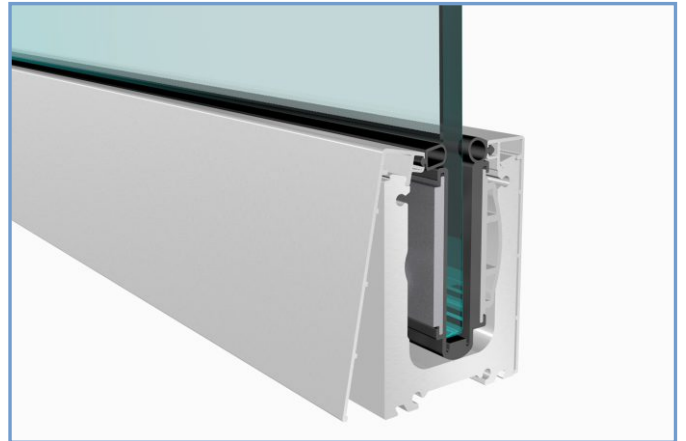
- ⑥ Fit glass. Position glass vertically, then wind nuts to secure.



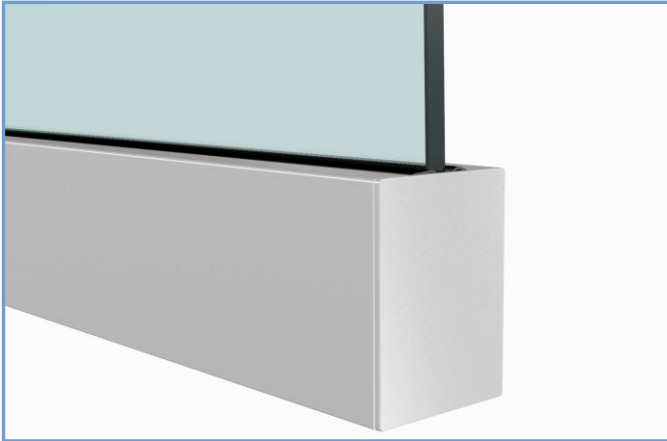
7 If further adjustment required, loosen and tighten nuts to tilt glass.



8 Fit cladding on the inner side of base rail.



9 Fit end caps on the two ends of base rail.



10 Fit glass spacers between glass panels.

