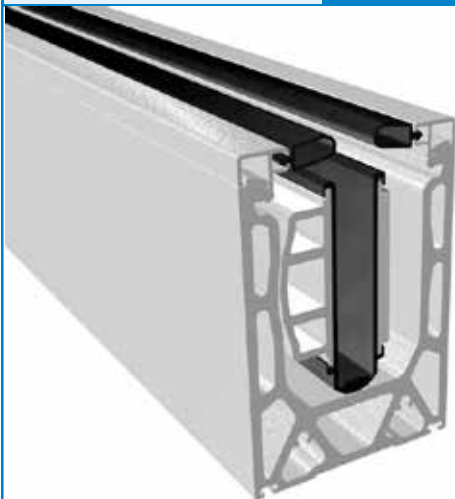
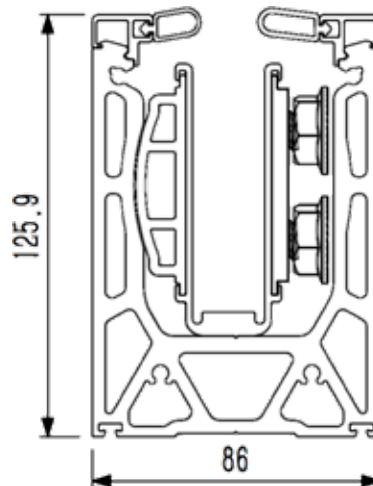


126BFUC-BA

FRAMELESS GLASS BALUSTRADE & POOL FENCE HARDWARE



Product Image



Dimensions

DETAILS

126 Ultra-Tilt Base Fixed Channel System in 5800mm length

- Suitable for 19mm toughened & 21.52mm SGP with 20 x glass clamps
- Suitable for 25.52mm SGP with 25 x glass clamps
- Supplied with 2 x Short Covers including rubber & 3 x 100mm gap rubbers
- Up to 30mm tilt adjustment from inside of the balustrade, backward and forward
- Patented Rotating Pressure Plate System
- Glass clearance from underside of channel is 38mm
- Download brochure, engineering, installation instructions/videos from our website

FINISHES

- Brushed Anodised Short Covers
- Brushed Anodised Channel

Base material:
6063 T6 Grade Aluminium