

BRISA-M Magnetic Linear Sliding Door System

Experience Quiet

1 Use the **linear motor** to drive the door quietly without belt and pulley design.

2 The Compact top track allows **wall mount** and **transom fixing** with an easy installation design.

3 Energy-saving technology to save your cost

Suitable for the residential or office partitions, restaurants, hotel VIP rooms, smoking rooms...etc.

Specification

Maximum door width: 1200mm
 Minimum door width: 750mm
 (min. door width is 850mm for an auto-lock)
 Maximum door weight: 80kg
 The track size: 74mm x 70mm
 Power supply: 110V ~ 230V AC50-60Hz
 Operation noise < 50dB
 Adjustable opening/closing speed: 200mm~500mm/s
 External access control devices are acceptable

When power is off, the door panel can be operated as a manual door without any obstruction.
 Safe return function when the door hit any obstacle.



The variety of accessories allow you to design stylish door panels.

BRISA-180/180H

Heavy duty sliding door system

Innovation **Non-spring damper design**

The features of the system

The BRISA-180/180H system was designed to carry maximum door weight up to **110kg** with both ends auto braking and closing function to provide safety to prevent finger trapped in doors, and reducing the noise when the door is closing.

Specifications

BRISA-180

Maximum door width : 1300mm
Minimum door width : 740mm

Suitable for the glass thickness:

10mm/12mm/12.8mm (Laminated glass)
(For wooden panel the extra accessory is available by order)
Maximum door weight : 80kg

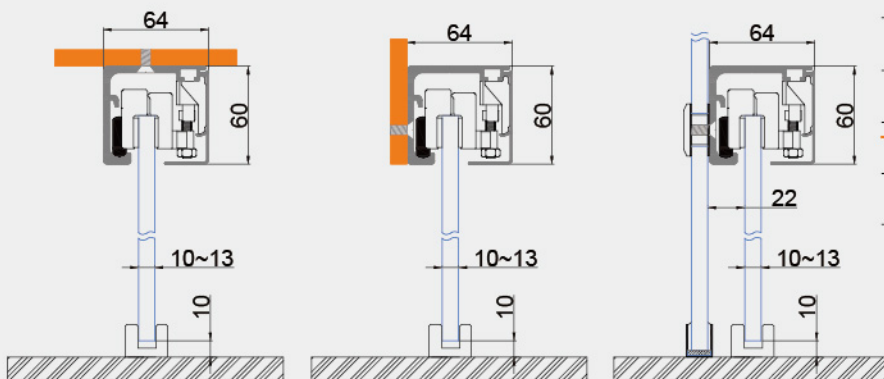
BRISA- 180H(Heavy type)

Maximum door width : 1500mm
Minimum door width : 740mm

Suitable for the glass thickness:

10mm/12mm/12.8mm (Laminated glass)
(For wooden panel the extra accessory is available by order)
Maximum door weight : **110kg**

Variety of door mount applications



The both ends soft close function provides additional operation convenience on the sliding door.

The door can be closed effortlessly by its gently glide into the end position. Stopping accident from occurring.



Designed and Made in Taiwan, please feel free to contact your nearest GCC distributor for more assistance.