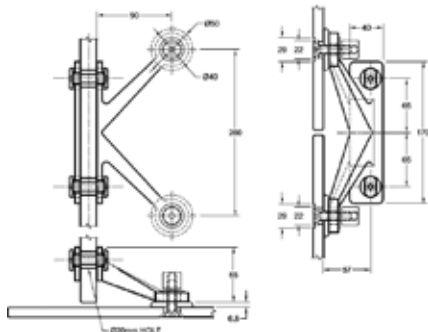


445/4M/2

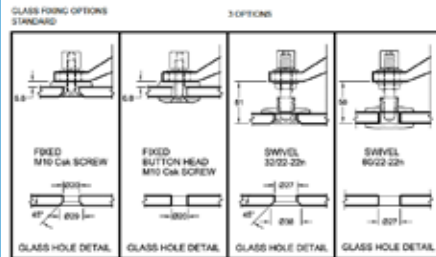
# FRAMELESS GLASS PIVOT DOOR HARDWARE



Product Image



Dimensions



Glass Preparation

## DETAILS

### Heavy Duty Spider

- Standard with M10 Countersunk fixing or the 3 other options shown
- Also available without backplate
- Larger glass preparation diagrams on page 3.8k
- Specify glass thickness and fixing type

## FINISHES

- Polished
- Satin

Base material: 316 Stainless Steel