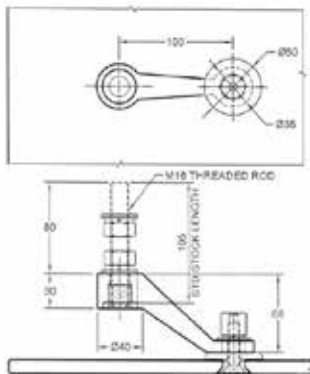
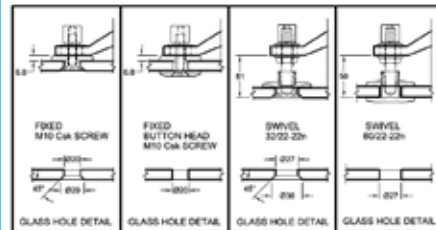




Product Image



Dimensions

GLASS FIXING OPTIONS
(STANDARD)

Glass Preparation

DETAILS

Heavy Duty Spider

- Standard with M10 Countersunk fixing or the 3 other options shown
- Larger glass preparation diagrams on page 3.8k
- Specify glass thickness and fixing type

FINISHES

- Polished
- Satin

Base material: 316 Stainless Steel