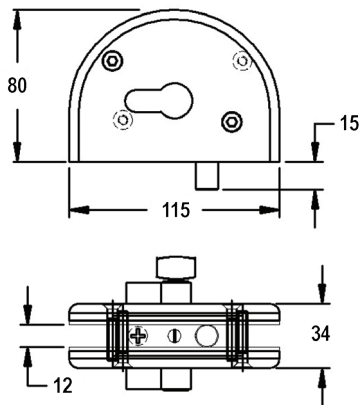
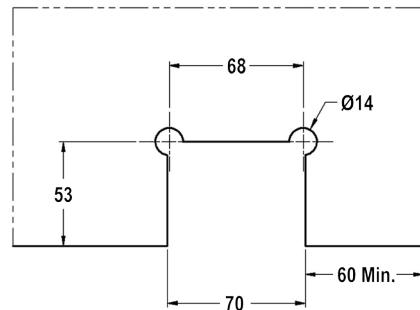




Product Image



Dimensions



Glass Preparation

DETAILS

Profile Plunger Lock

- Suitable for 10/12mm glass
- Complete with single sided cylinder/snib & keeper plate
- In addition to the glass clearance, allow 4mm for thickness of the base & gasket

FINISHES

- Polished
- Satin
- Other finishes may be available

Base Material:
Aluminium Body
316 Stainless Steel Covers