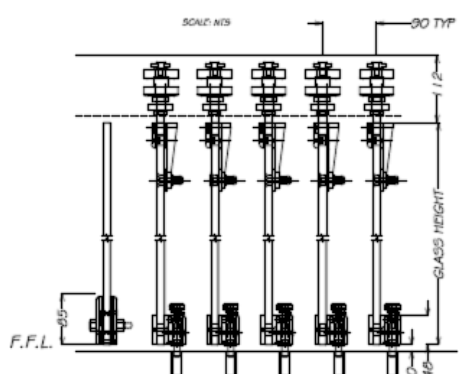
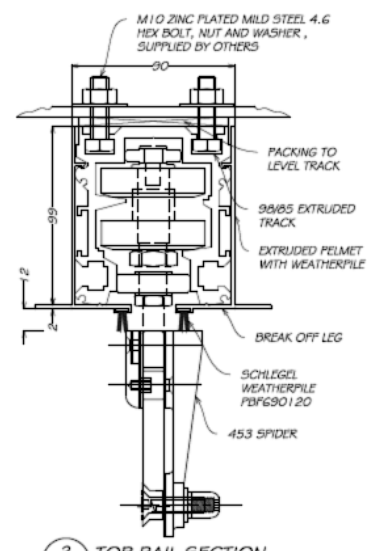


1 TYPICAL SYSTEMS SCHEMATICS
SCALE: N15



3 STACKING PROFILE
SCALE: N15



2 TOP RAIL SECTION
SCALE: N15

DETAILS

Austvision Slydstak Doors with Spiders

- For heavy duty commercial applications up to 3m maximum opening height
- A maximum of 15mm toughened, heat soaked glass can be supported
- Austvision frameless door systems feature innovative dual nylon wheels in the roller carriages for better weight distribution and stability.
- For further information please refer to download section at www.mfgs.com.au
- Email manufactured@mfgs.com.au to order or discuss your requirements

FINISHES

- Natural Anodised Top Track
 - Polished Stainless Spiders & Locks
 - Satin Stainless Spiders & Locks
- Base material:
Stainless Steel Spiders & Locks
Aluminium Top Track