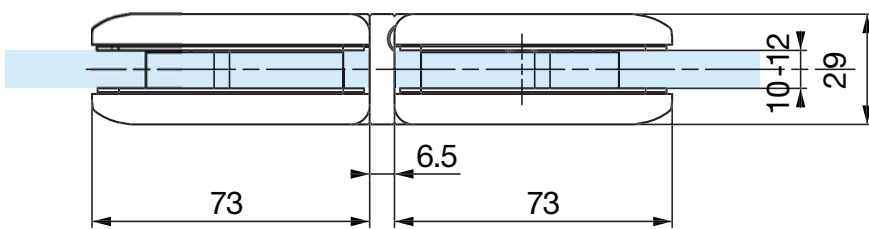
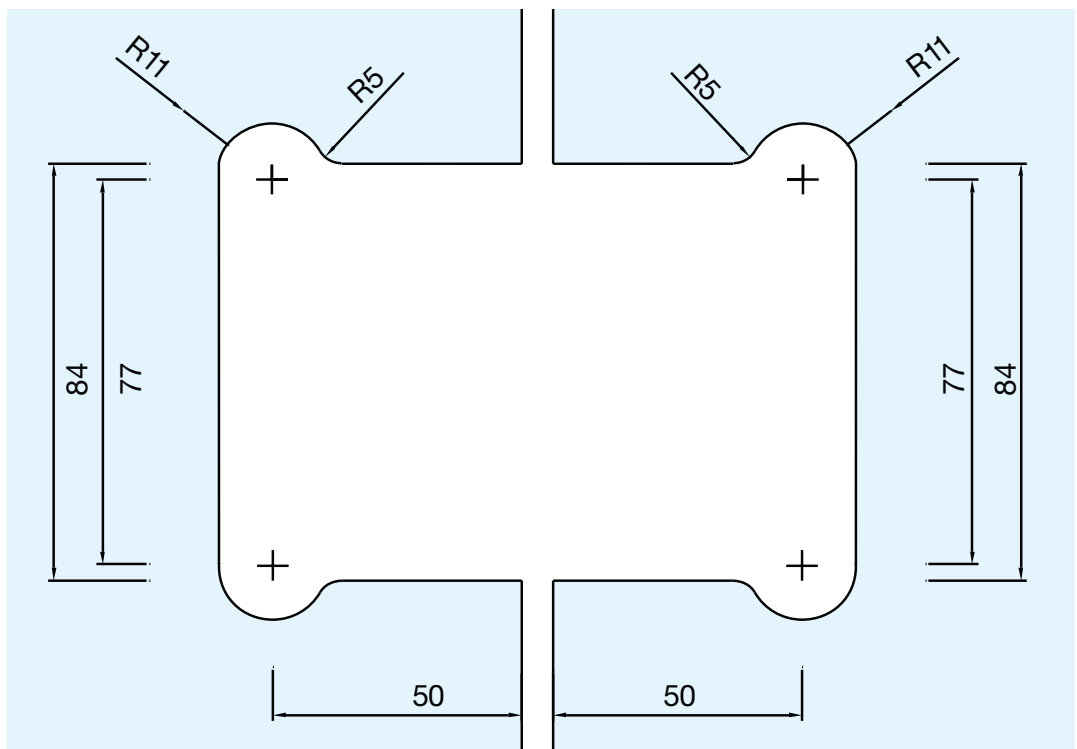




# Biloba Hinge

GLASS/GLASS 180°



## technical details

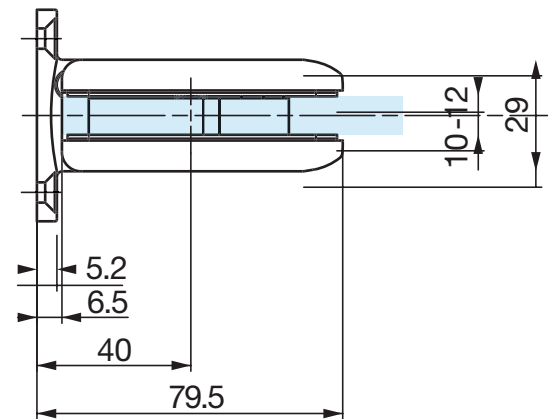
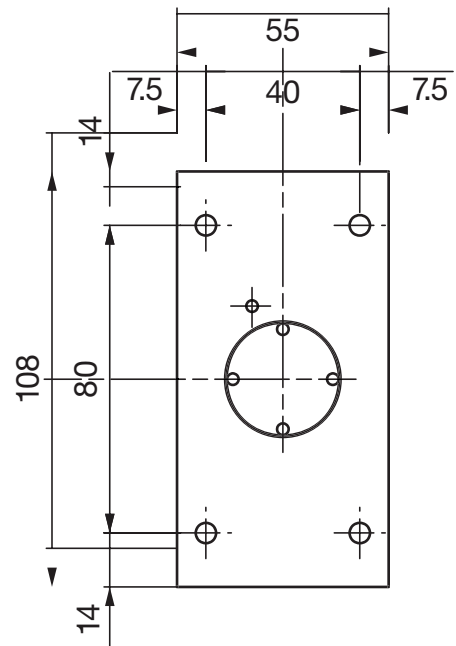
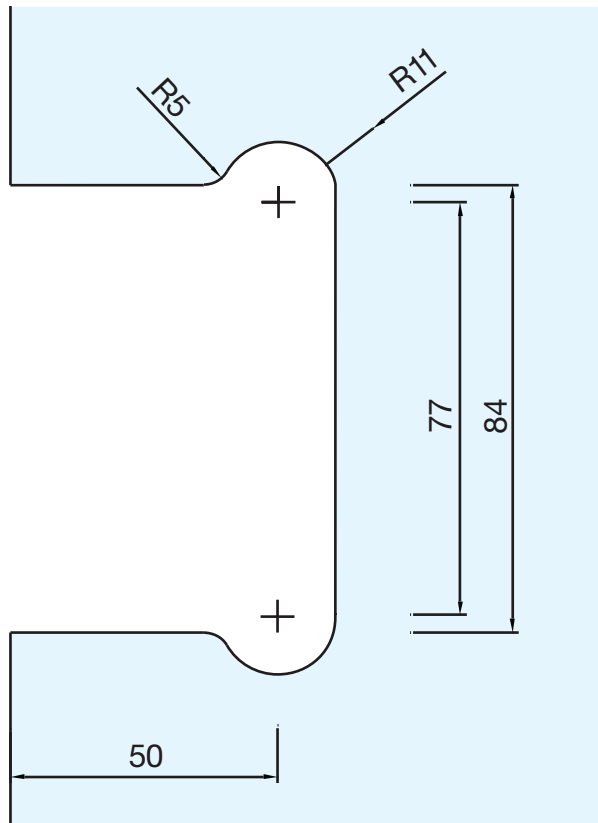
Glass:	10 ~ 12mm
Max Door Weight:	80kg
Max Door Width:	1000mm
All hinges are manufactured in Aluminium & PVD Coated, other finishes are available on request.	
Maximum two hinges per door	

description	code
Hold Open – Brushed Stainless Steel PVD Coated	19-SH/073
Hold Open – Bright Chrome	19-SH/073C
Non Hold Open – Brushed Stainless Steel PVD Coated	19-SH/070
Non Hold Open – Bright Chrome	19-SH/070C



# Biloba Hinge

WALL MOUNT - FULL BACK PLATE



## technical details

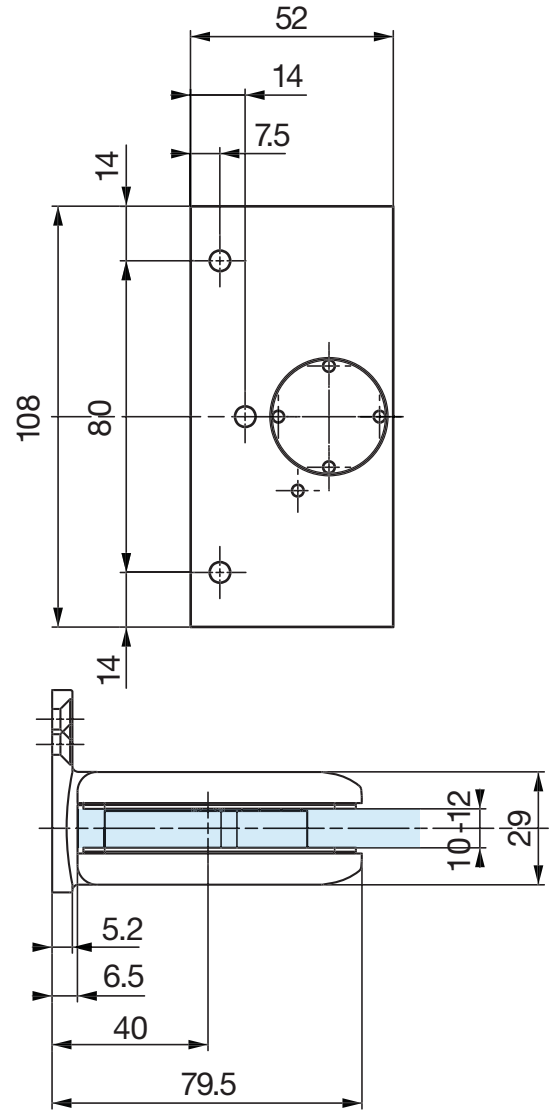
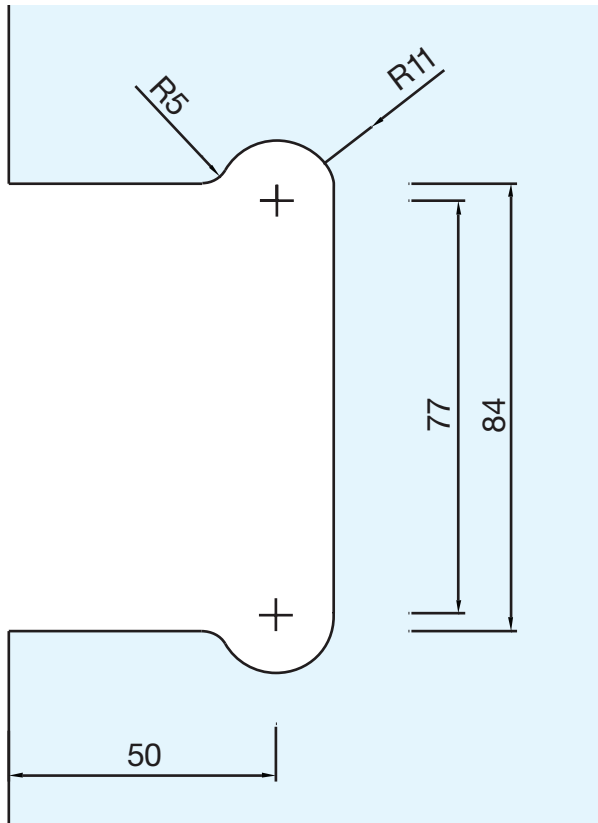
Glass:	10 ~ 12mm
Max Door Weight:	100kg
Max Door Width:	1000mm
All hinges are manufactured in Aluminium & PVD Coated, other finishes are available on request.	
Maximum two hinges per door	

description	code
Hold Open – Brushed Stainless Steel PVD Coated	19-SH/074
Hold Open – Bright Chrome	19-SH/074C
Non Hold Open – Brushed Stainless Steel PVD Coated	19-SH/071
Non Hold Open – Bright Chrome	19-SH/071C



# Biloba Hinge

WALL MOUNT - OFFSET BACK PLATE



## technical details

Glass:	10 ~ 12mm
Max Door Weight:	100kg
Max Door Width:	1000mm
All hinges are manufactured in Aluminium & PVD Coated, other finishes are available on request.	
Maximum two hinges per door	

description	code
Hold Open – Brushed Stainless Steel PVD Coated	19-SH/075
Hold Open – Bright Chrome	19-SH/075C
Non Hold Open – Brushed Stainless Steel PVD Coated	19-SH/072
Non Hold Open – Bright Chrome	19-SH/072C