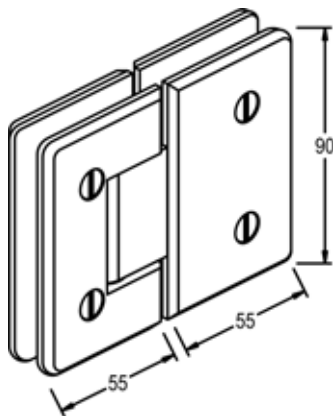
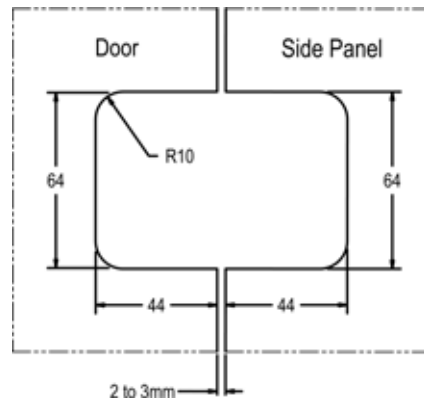




Product Image



Dimensions



Glass Preparation

DETAILS

Glass to Glass Fix Hinge

- 180° Angle
- Suitable for 10mm glass (adaptable to other thicknesses)
- 35kg per two hinges & 52.5kg per three hinges with 800mm max door width
- Supplied with Hex & Slotted Head machine screws
- Hinges open in & out. Self closing from approximately 30°
- Custom angles may be available

FINISHES

- Polished Chrome
- Other finishes available by request

Base Material: Brass