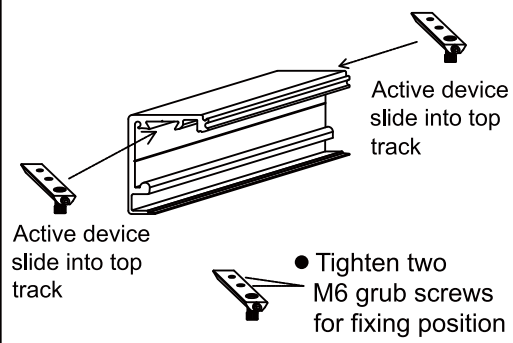
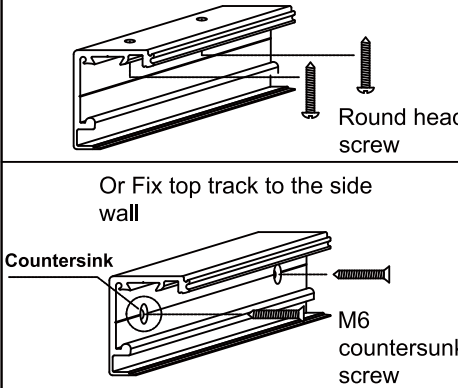


# GCC BRISA-160 system installation manual

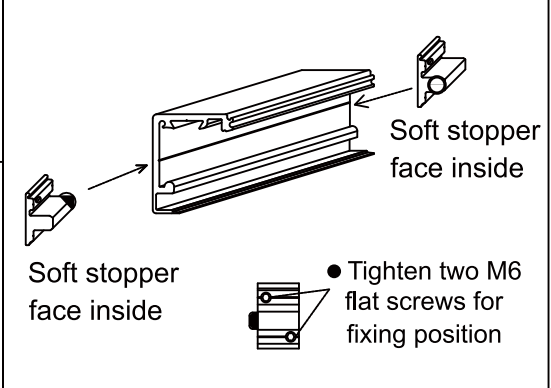
**1** Slide the Active device into top track



**2** Fix top track to the top construction (make sure the top track is level)

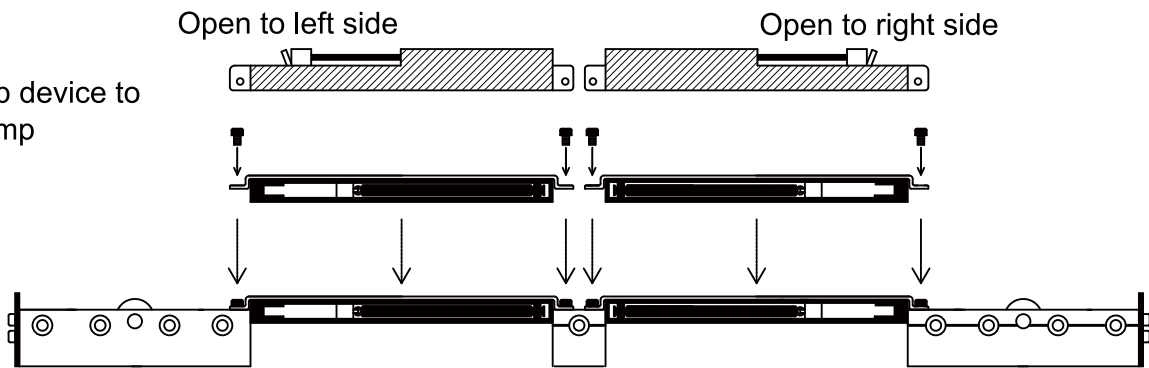


**3** Slide the stopper into the top track, and the soft material face inside



**4**

Assemble the anti-bump device to the glass clamp



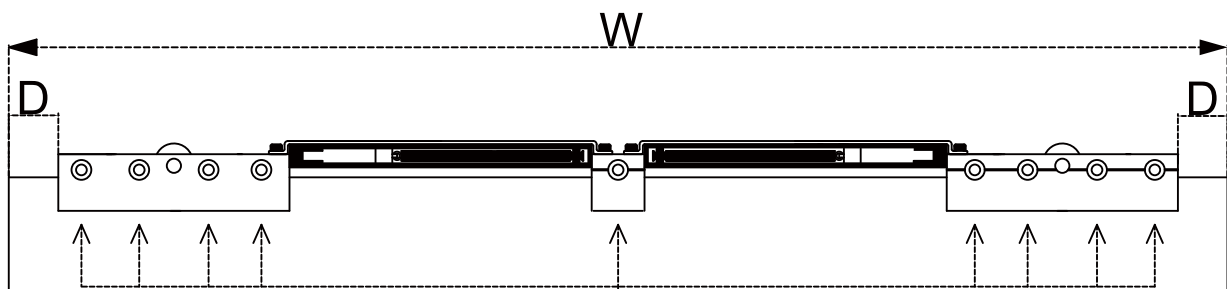
**5**

Fix the glass clamp with anti-bump device to glass panel (make sure there is no gap between the glass and the clamp)

W : total panel's width

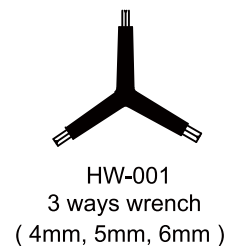
D : Distance from the glass edge to the clamp

$$D = (W - 678\text{mm}) / 2$$



• Tighten 9 hex screws levelly with 15 Nm.

(Use GCC HW-001 3 ways wrench recommended)



• Glass width min. is **740mm** with both ends soft stop function.

