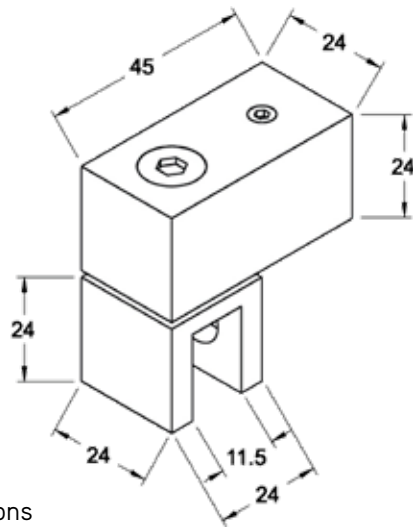




Product Image



Dimensions

DETAILS

Adjustable Glass Mount Connector

- For use with CTLSB-T to create glass to glass cut to length brace
- For use with CTLSB-T & CTLSB-WC to create glass to wall cut to length brace
- Adjustable to any angle
- Supplied with metal grubscrews

FINISHES

- Polished Chrome
- Brushed Satin Chrome
- Matt Black
- Brushed Nickel
- Other finishes may be available

Base Material: Brass