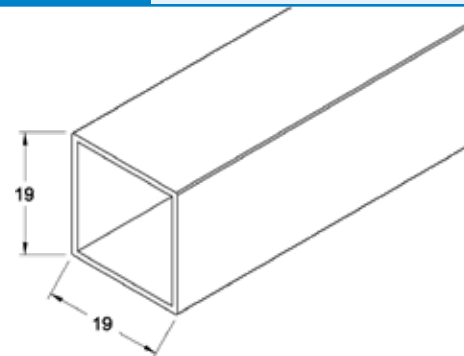




Product Image



Dimensions

DETAILS

Cut to Length Square Tube

- For use with 2 x CTLSB-AC, to create glass to glass cut to length brace
- For use with CTLSB-AC & CTLSB-WC, to create glass to wall cut to length brace
- 19mm x 19mm x 1500mm

FINISHES

- Polished Chrome
- Brushed Satin Chrome
- Matt Black
- Brushed Nickel
- Other finishes may be available

Base Material: Brass