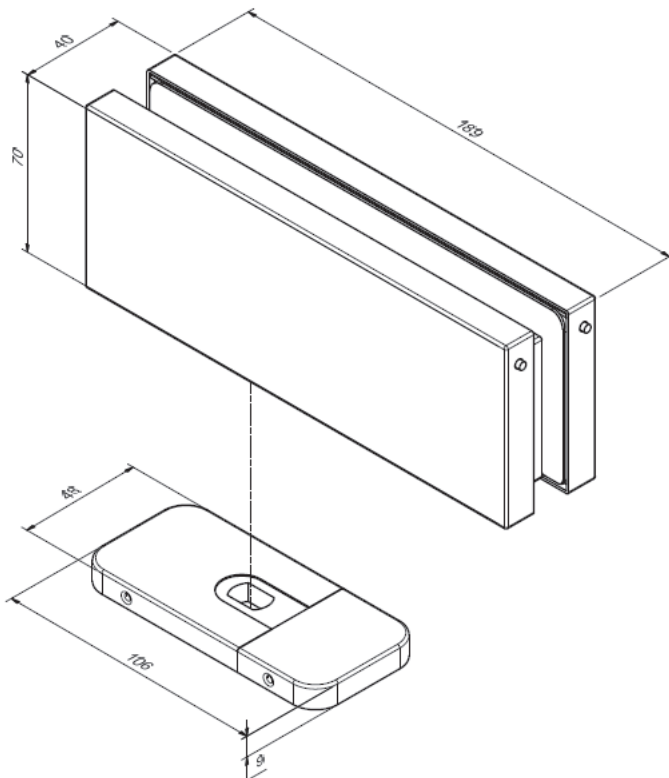
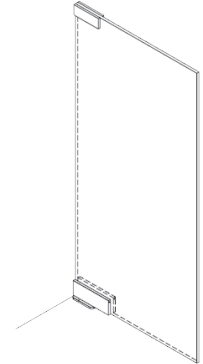
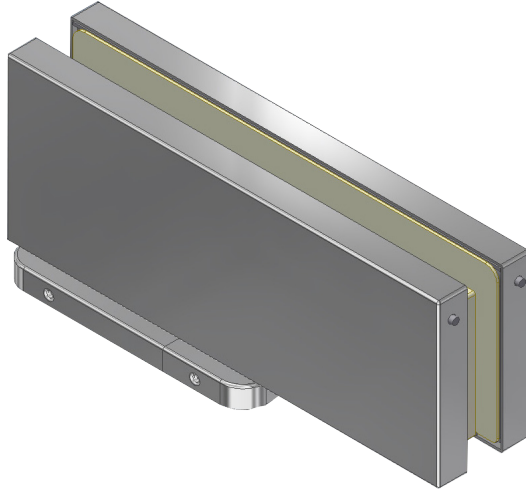


FRAMELESS GLASS COMMERCIAL HARDWARE

FH-100



Self closing floor mounted patch fitting for Frameless Glass Doors & Pool Gates.

Simple installation with four screw fixings into any floor. Adjustable base plate for easy alignment of the door in either direction as shown in Diagram No.11 on Page 3.47C

Suitable for single or double action doors. Used in conjunction with standard MP20 top patch fitting. Two speed closing adjustment as shown in Diagram No.12 on Page 3.47C

Pool Gates require increased clearance on PWA-1 to 12mm and PGA-1 / PGA-2 to 7mm. The Ozone Hydraulic Patch Fitting is only suitable for these Pivots.

Description

OZONE HYDRAULIC PATCH FITTING

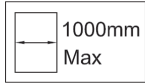
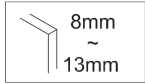
- Available in Hold Open & Non Hold Open
- Suitable for 8mm - 12mm Toughened Glass with a maximum weight of 100kg & 1000mm max width
- Closing & Latching Speed Adjustment

Finishes

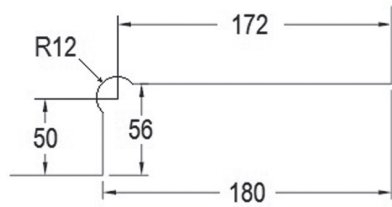
- Satin Stainless Steel Covers
- Polished available on request

FRAMELESS GLASS COMMERCIAL HARDWARE

FH-100

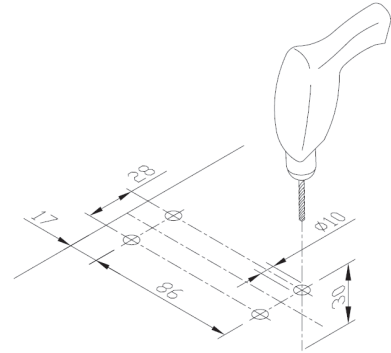


Glass Cutout



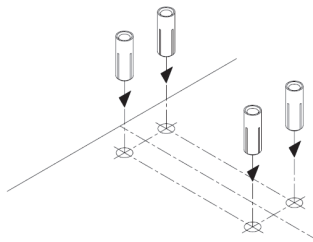
1

Unit : mm

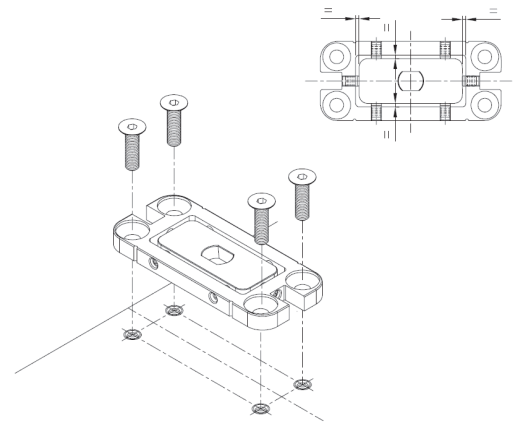


2

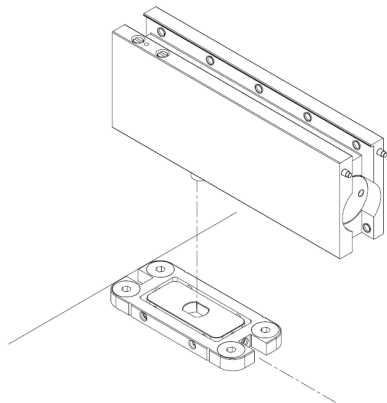
Unit : mm



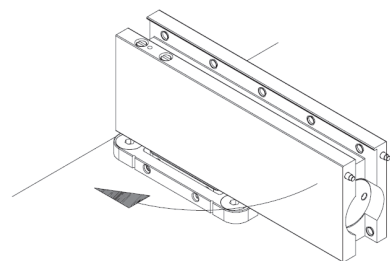
3



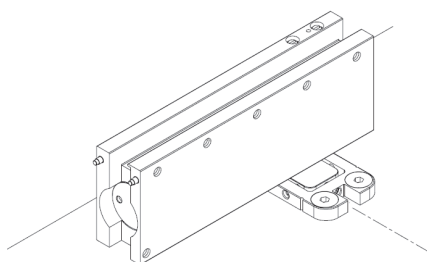
4



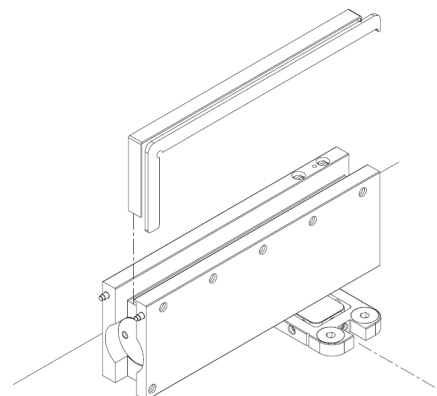
5



6



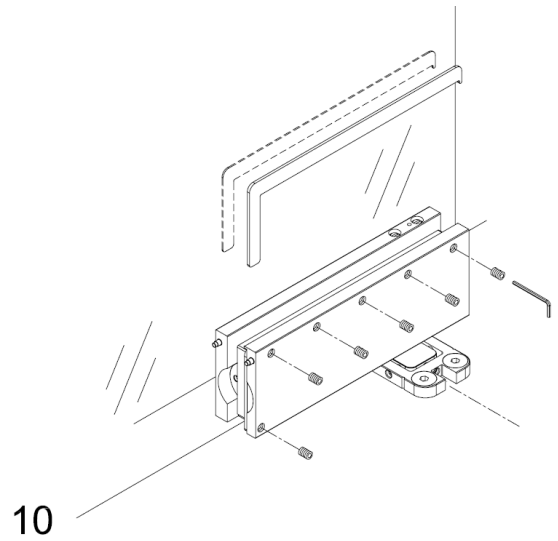
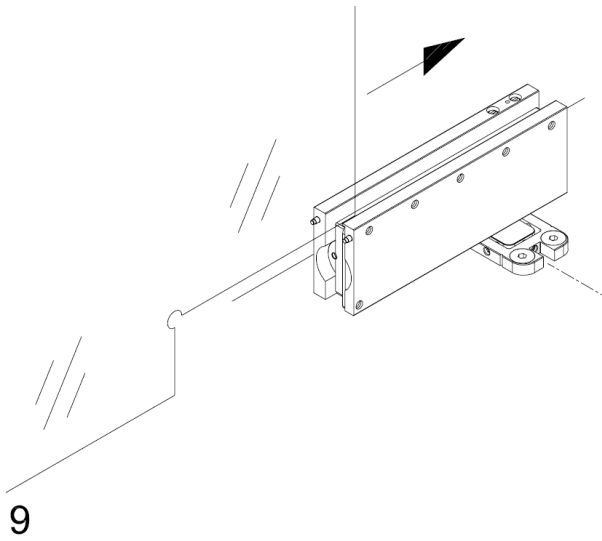
7



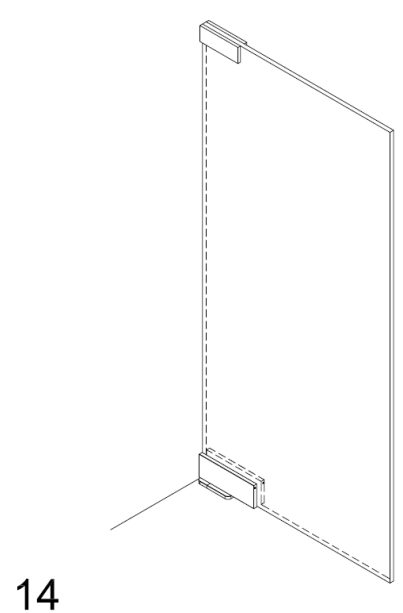
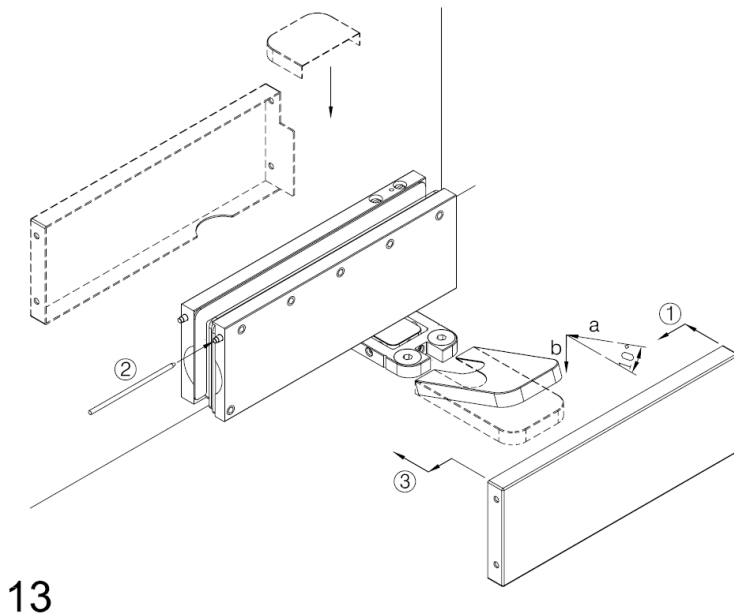
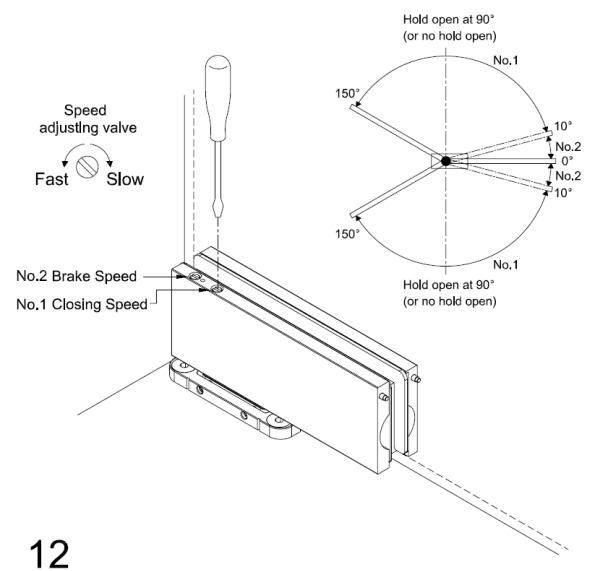
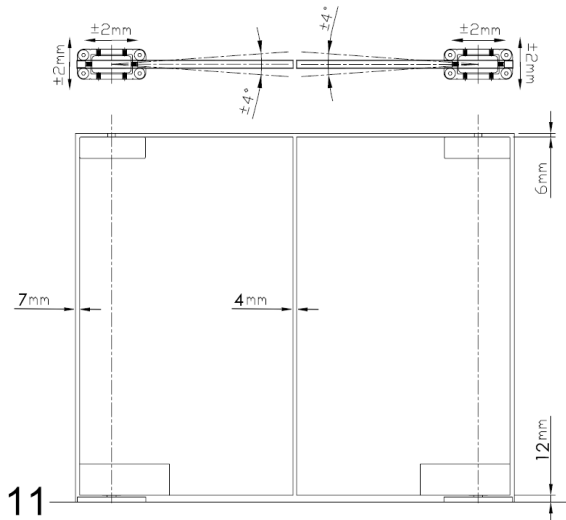
8

FRAMELESS GLASS COMMERCIAL HARDWARE

FH-100



Adjust the Door position



FRAMELESS GLASS COMMERCIAL HARDWARE

FH-100

