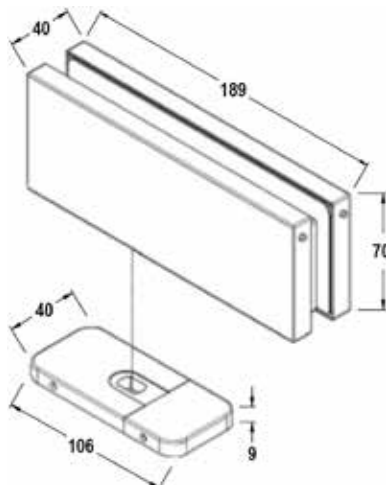


FRAMELESS GLASS POOL GATE HARDWARE

FH-100NHO

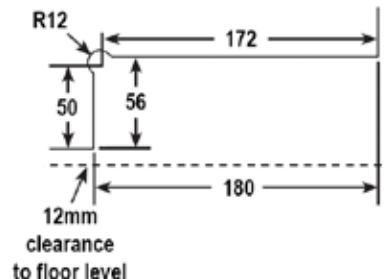


Product Image



Dimensions

Where the radius corner meets the cutout the points should be tipped or R5



Glass Preparation

DETAILS

Ozone Hydraulic Patch Fitting

- Suitable for 8-12mm toughened glass
- Non Hold Open
- When used with a PWA-1 a 12mm clearance is required to wall/post
- When used with a PGA-1 a 7mm clearance is required between panels
- 100kg weight capacity with max 1000mm gate width

FINISHES

- Polished
- Satin

Base material:
Aluminium Body
316 Stainless Steel Covers