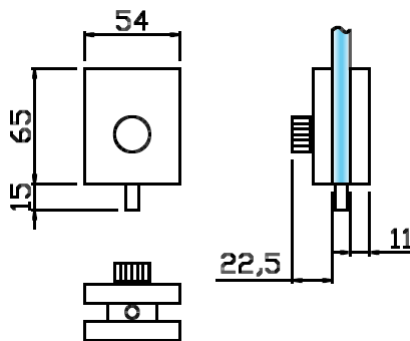
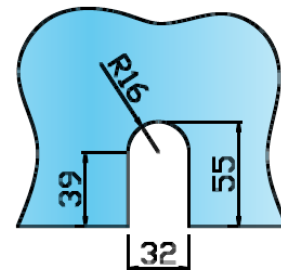




Product Image



Dimensions



Glass Preparation

## DETAILS

### GFS Bolt with Pull & Keeper Plate

- Suitable for 10/12mm Glass

## FINISHES

- Polished Stainless Steel
- Satin Stainless Steel
- Other finishes may be available

Base Material: Aluminium Body  
Covers: Stainless Steel