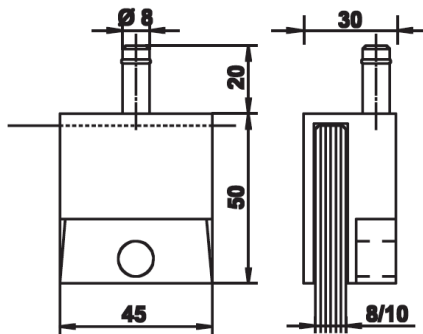




Product Image



Dimensions

NO
GLASS
CUTOUT
REQUIRED

Glass Preparation

DETAILS

Slide-On GFS Bolt

- Suitable for 8/10mm Glass
- No glass cutout required

FINISHES

- Natural Anodised
- Satin Stainless Anodised
- Other finishes may be available

Base Material: Aluminium Body