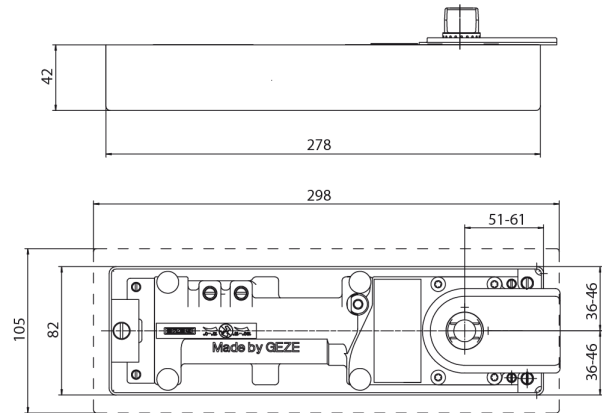


GTS500NVNHO
GTS500NVHO

FRAMELESS GLASS PIVOT DOOR HARDWARE



Product Image



Dimensions

DETAILS

Adjustable Strength EN1 - EN4 Non Hold Open / Hold Open 90°

- Back Check Feature, Closing Speed & Latching Action Adjustable
- Safety Valve preventing deliberate overloading, Closing range from approx. 170°
- Large adjustment range in Galvanised Cement Box
- Maximum Door Width is 1100mm & Maximum Door Weight is 150kg
- All settings can conveniently be accessed & adjusted from the top when installed

FINISHES

- Satin Cover Plate
- Painted Floorspring & Box

Base material:
Stainless Steel Cover Plate
Galvanised Steel Box
Cast Steel Body