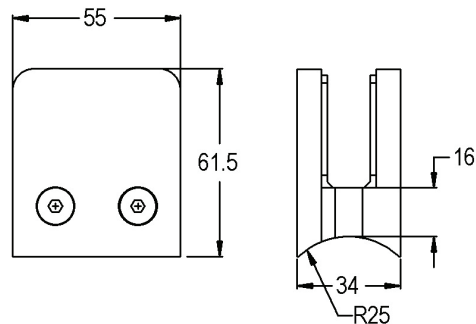




Product Image



Dimensions

DETAILS

Large Radius Balustrade Clamp

- Suitable for 8, 10 & 12mm toughened glass
- 18-20mm clearance from Ø50mm post to glass
- Electropolished finish adds greater protection against tea staining

FINISHES

- Polished
- Satin

Base Material: 316 Stainless Steel