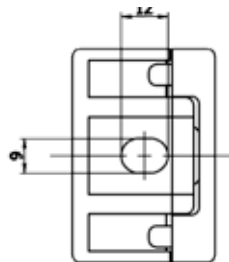
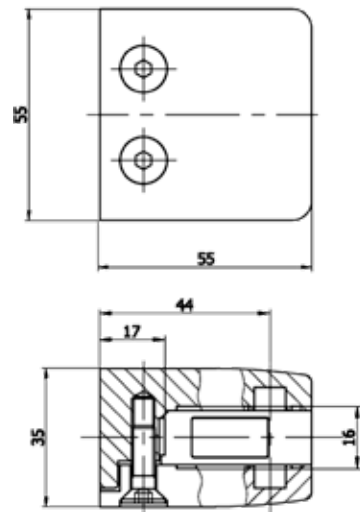




Product Image



Dimensions



## DETAILS

### Balustrade Clamp with Retaining Plate - Flat back for square post or wall mounting

- Suitable for 10 & 12mm toughened glass
- Can be friction fit and/or firmly secured with retaining plates on the top & bottom of the glass panel
- A pin can also be used with the clamps through a hole in the glass for further security in addition to the friction fit (Please contact the office for glass prep)
- 17mm clearance (min) from wall/square post to glass

## FINISHES

- Polished
- Satin
- Matt Black

Base Material: 2205 Stainless Steel