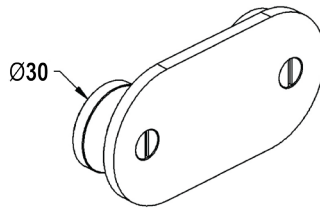


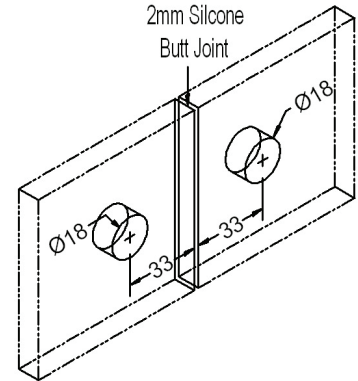


Product Image

Other dimensions same as MBR180D above



Dimensions



Glass Preparation

DETAILS

180° Glass to Glass Bracket

- Suitable for 10mm glass
- Button format
- Supplied with Slotted & Hex Head machine screws

FINISHES

- Polished Chrome
- Brushed Satin Chrome
- Polished Gold
- Other finishes may be available

Base Material: Brass