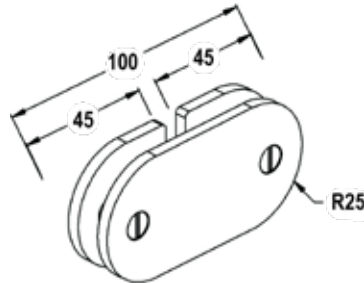
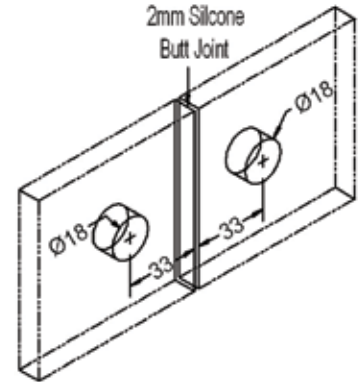


Product Image



Dimensions



Glass Preparation

DETAILS

180° Glass to Glass Bracket

- Suitable for 10mm glass
- Full round backplates
- Supplied with Slotted & Hex Head machine screws

FINISHES

- Polished & Brushed Satin Chrome
- Polished & Satin Gold
- Matt Black
- Brushed Nickel
- Other finishes available by request

Base Material: Brass