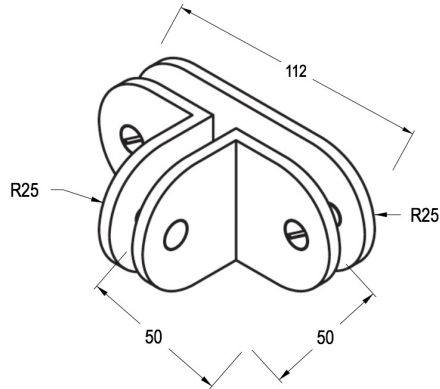
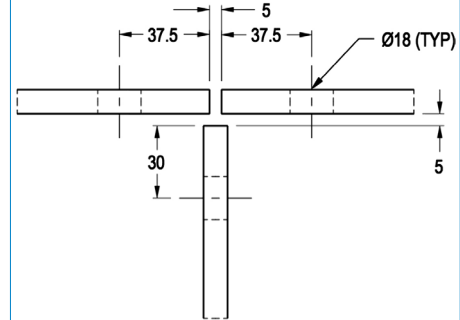




Product Image



Dimensions



Glass Preparation

DETAILS

90°/180° Glass to Glass Bracket

- Suitable for 10mm glass
- Round shape
- Supplied with Slotted & Hex Head machine screws

FINISHES

- Polished Chrome
- Brushed Satin Chrome
- Polished Gold
- Other finishes may be available

Base Material: Brass