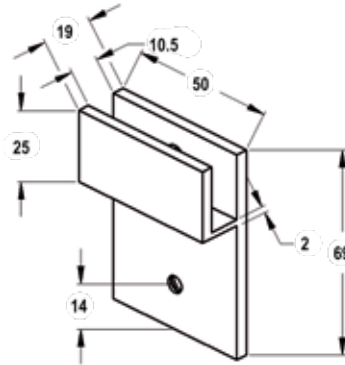


MBS10VL

FRAMELESS GLASS BATHROOM HARDWARE



Product Image



Dimensions

**2-3mm
clearance
between
glass & surface**

Glass Preparation

DETAILS

180° Square Glass to NIB Wall/Bath Bracket

- Suitable for 10mm Glass
- No hole required in glass

FINISHES

- Polished & Brushed Satin Chrome
- Polished & Satin Gold
- Matt Black
- Brushed Nickel
- Other finishes available by request

Base Material: Brass