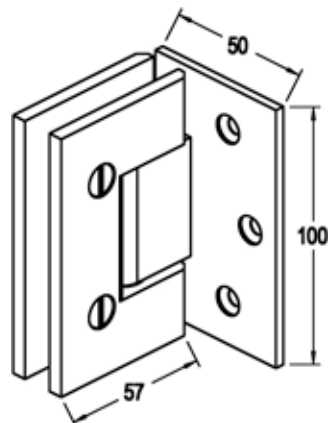
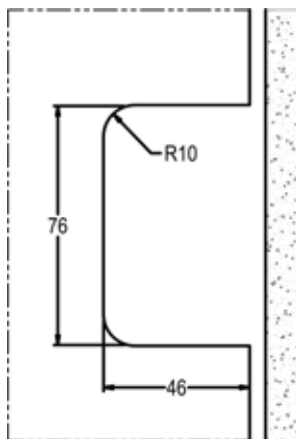




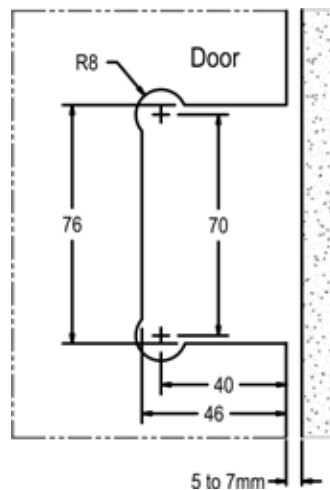
Product Image



Dimensions



OR



Glass Preparation

DETAILS

Wall Fix Hinge (Super Heavyweight)

- Offset L mount plate with 3 wall fixing holes (double stud fixing recommended)
- Suitable for 10mm & 12mm glass
- 50kg per two hinges & 63kg per three hinges with 914mm maximum door width
- Supplied with Hex & Slotted Head machine screws & 50mm wall fix screws
- Hinges open in & out. Self closing from approximately 30°
- Two options for glass preparation

FINISHES

- Polished & Brushed Satin Chrome
- Polished & Satin Gold
- Matt Black
- Brushed Nickel
- Other finishes available by request

Base material: Brass