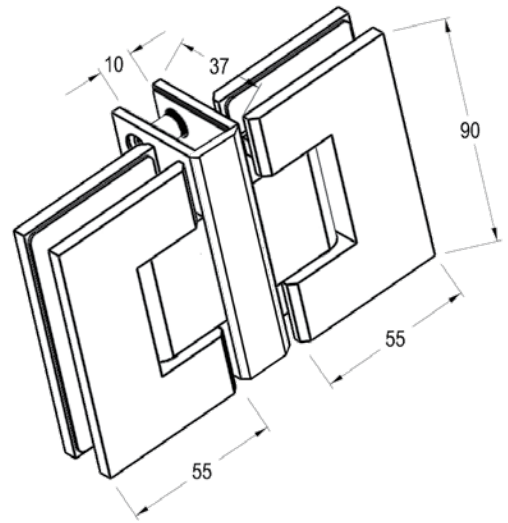
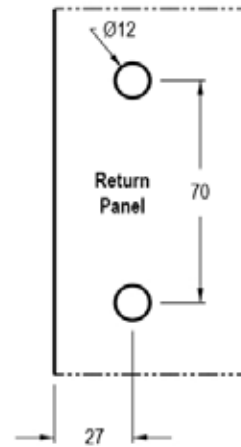
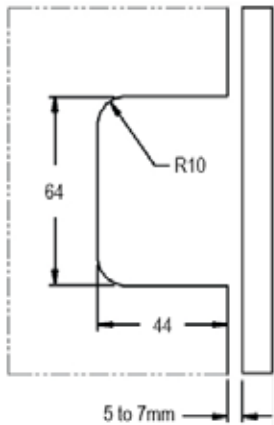




Product Image



Dimensions



Glass Preparation

DETAILS

Glass to Glass Fix Hinge

- Back to back MF1-L type hinges fixed through panel with 2 x Chicago Screws
- Suitable for 10mm glass (adaptable to other thicknesses)
- 35kg per two hinges & 52.5kg per three hinges each side with 800mm maximum door width each side.
- Supplied with Hex & Slotted Head machine screws
- Hinges open in & out. Self closing from approximately 30°

FINISHES

- Polished Chrome
- Other finishes available by request

Base Material: Brass