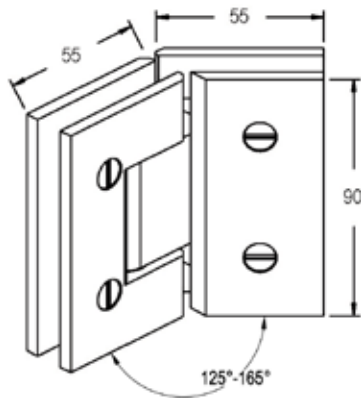


FRAMELESS GLASS BATHROOM HARDWARE

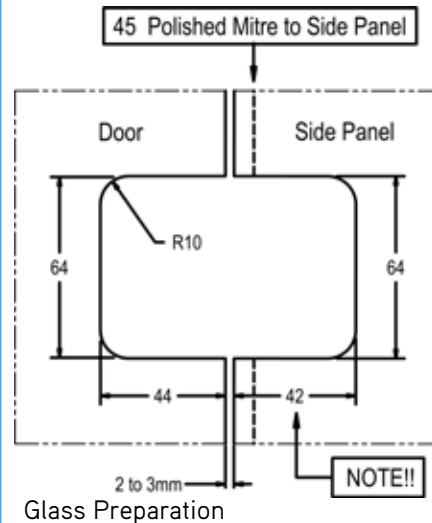
MF2-A5



Product Image



Dimensions



Glass Preparation

DETAILS

Glass to Glass Fix Hinge

- A5 = 125°-165° in 5° increments not including 135° (see MF2-135 on page 1.1d)
- The Glass Preparation above may not apply to 125° & 130° Hinges
- Suitable for 10mm glass (adaptable to other thicknesses)
- 35kg per two hinges & 52.5kg per three hinges with 800mm maximum door width
- Supplied with Hex & Slotted Head machine screws
- Custom Angles available upon request

FINISHES

- Polished Chrome
- Other finishes available by request

Base Material: Brass