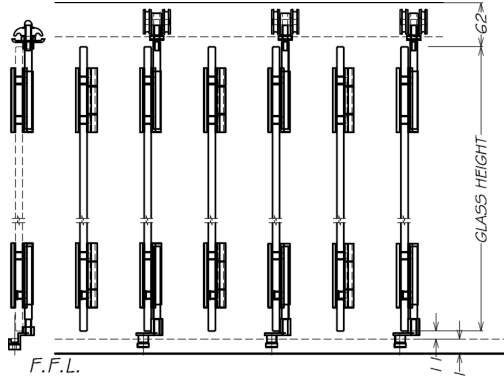


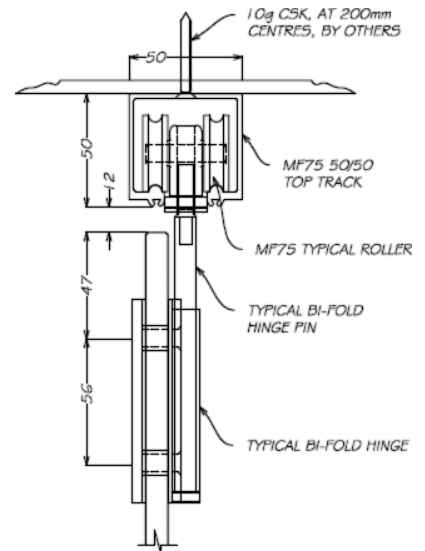
1 TYPICAL SYSTEMS SCHEMATICS

SCALE: NTS



3 STACKING PROFILE

SCALE: NTS



2 TOP RAIL SECTION

SCALE: NTS

DETAILS

Metro MF75 Internal Folding Door Kits

- 75kg weight capacity for 10mm toughened glass 2700mm H x 950mm W
- Each kit contains: Top Track, Roller Hangers, Pivot Set, Guide Hinges, Bottom Locks & Floor Guide Channel
- Email manufactured@mfgs.com.au for 2/3/4/5/6 door systems
- End door on uneven sets can be fitted with latch or lockset
- For further information please refer to download section at www.mfgs.com.au

FINISHES

- Natural Anodised Top Track & Floor Channel Guide
 - Brushed Satin Chrome Pivot Sets & Guide Hinges
- Base material:
Aluminium Track & Floor Channel Guide
Brass Pivot Sets & Guide Hinges