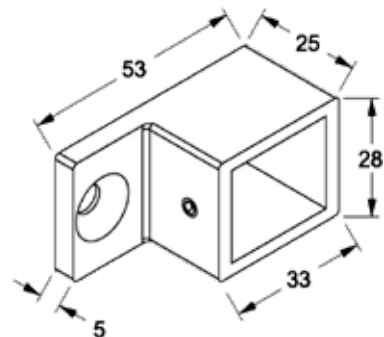




Product Image



Dimensions

DETAILS

Top Rail Wall Bracket with Side Tab & Grubscrew

- Grubscrew on tab side of bracket is used to tighten up against the side of the MH25S Toprail to reduce movement.
- Side tab allows fixing of toprail after install but less obvious than on top.
- Can be used on the left or right, with side tab inside or outside.

FINISHES

- Polished
- Satin
- Matt Black

Base material:
2205 Stainless Steel