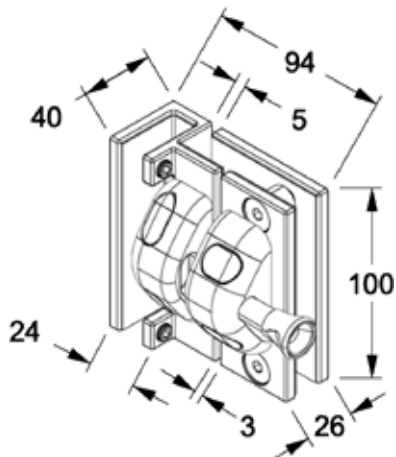
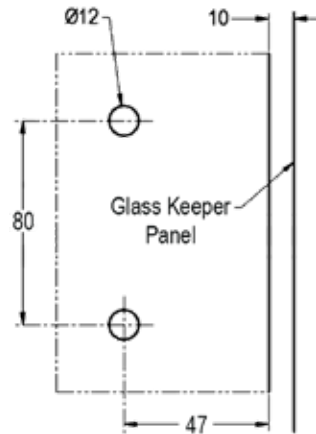


Product Image



Dimensions



Glass Preparation

DETAILS

Modern Glass to Glass 90° Latch - Opening Out

- To suit 12mm Glass Thickness
- D & D Magna latch
- Also available with lockable black Magna Latch

FINISHES

- Polished
- Satin
- Matt Black

Base material:
Black Moulded Polymer Latch
2205 Stainless Steel Plates