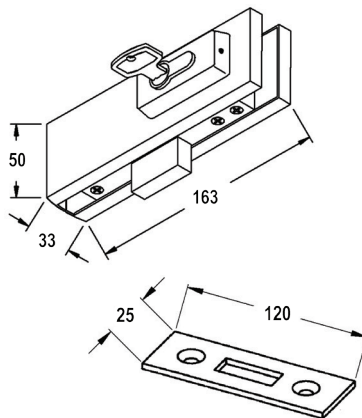


FRAMELESS GLASS PIVOT DOOR HARDWARE

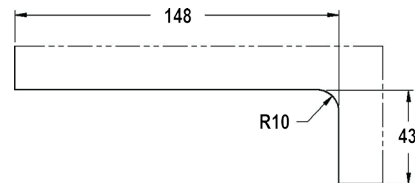
MP100



Product Image



Dimensions



Glass Preparation

DETAILS

Bottom Corner Tongue Patch Lock

- Suitable for 10/12mm glass
- Complete with Euro cylinder/snib & keeper plate

FINISHES

- Polished
- Satin
- Other finishes may be available

Base Material:
Aluminium Body
316 Stainless Steel Covers