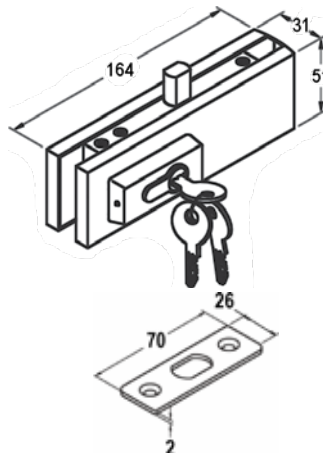


FRAMELESS GLASS PIVOT DOOR HARDWARE

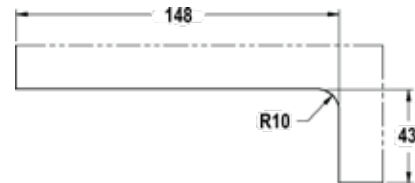
MP100P



Product Image



Dimensions



Glass Preparation

DETAILS

Bottom Corner Pin Patch Lock

- Suitable for 10/12mm glass
- Complete with Euro cylinder/snib & keeper plate
- Also have a similar lock (GP100) to suit an MP10 Patch fitting cutout

FINISHES

- Polished
- Satin
- Other finishes may be available

Base Material:
Aluminium Body
316 Stainless Steel Covers