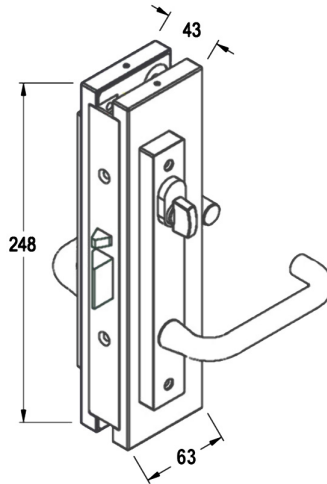


# FRAMELESS GLASS PIVOT DOOR HARDWARE

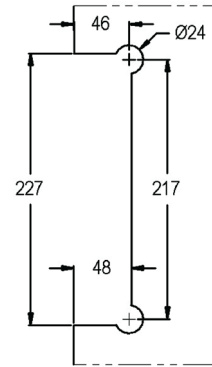
## MP3582A



Product Image



Dimensions



Glass Preparation

## DETAILS

### Security Patch Lock

- Suitable for 10/12/15mm glass
- Cylinder outside, snib inside
- Handles both sides
- Ability to specify left or right handed & whether to open in or out
- **Email [manufactured@mfgs.com.au](mailto:manufactured@mfgs.com.au) to order**

## FINISHES

- Polished
- Satin
- Other finishes may be available

Base Material:  
Aluminium Body  
316 Stainless Steel Covers