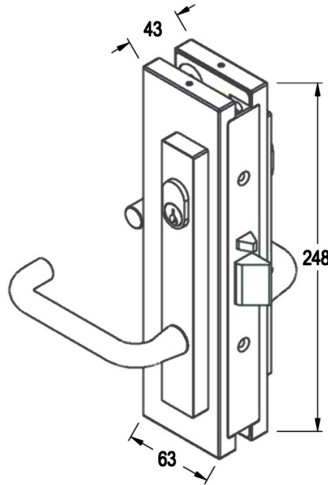


MP3582D

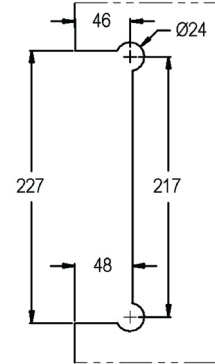
FRAMELESS GLASS PIVOT DOOR HARDWARE



Product Image



Dimensions



Glass Preparation

DETAILS

Security Patch Lock

- Suitable for 10/12/15mm glass
- Cylinder & handles inside & outside
- Ability to specify left or right handed & whether to open in or out
- **Email manufactured@mfgs.com.au to order**

FINISHES

- Polished
- Satin
- Other finishes may be available

Base Material:
Aluminium Body
316 Stainless Steel Covers