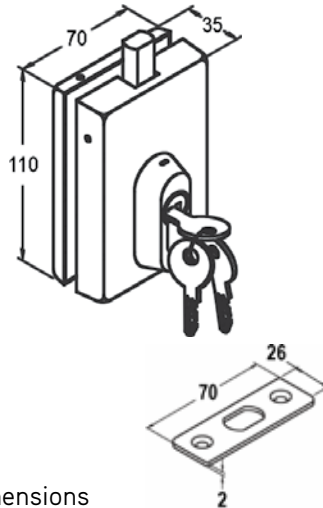


# MP700

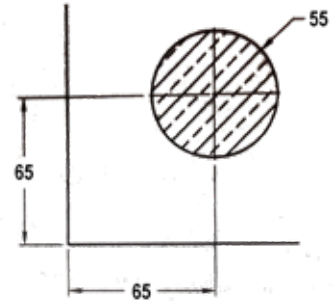
# FRAMELESS GLASS PIVOT DOOR HARDWARE



Product Image



Dimensions



Glass Preparation

## DETAILS

### Patch Lock

- Suitable for 10/12mm glass
- Complete with cylinder/snib & keeper plate

## FINISHES

- Polished
- Satin
- Other finishes may be available

Base Material:  
Aluminium Body  
316 Stainless Steel Covers