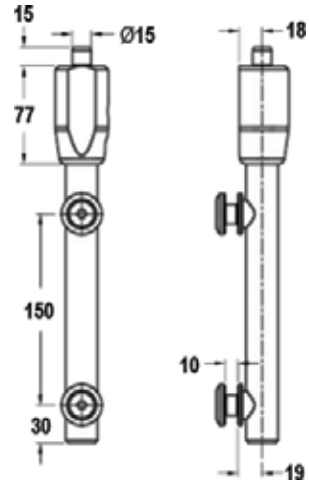


MPP20

FRAMELESS GLASS PIVOT DOOR HARDWARE



Product Image



Dimensions

DETAILS

Top Pivot Pole

- Suitable for 10/12mm glass
- Ø18mm holes in glass

FINISHES

- Satin

Base material: 316 Stainless Steel