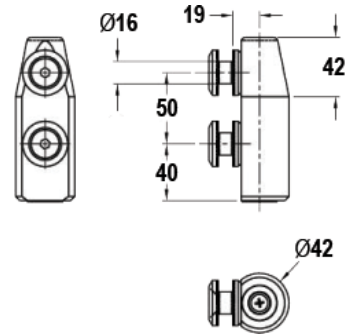




Product Image



Dimensions

## DETAILS

### Overpanel Pivot Pole Insert to suit MPP20

- Suitable for 10/12mm glass
- $\text{Ø}18\text{mm}$  holes in glass

## FINISHES

- Satin

Base material: 316 Stainless Steel