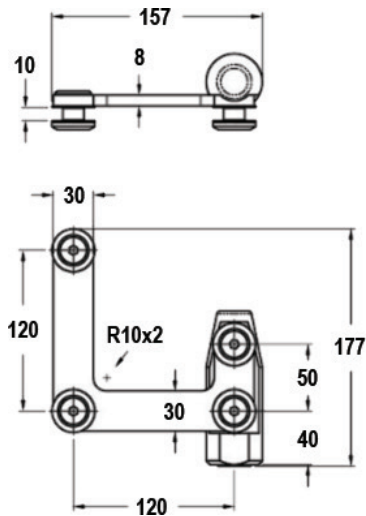




Product Image



Dimensions

## DETAILS

### Overpanel to Side Panel Pivot Pole Insert to suit MPP20

- Suitable for 10/12mm glass
- Ø18mm holes in glass

## FINISHES

- Satin

Base material: 316 Stainless Steel