

ONYX™ SQUARE CUT 5081

PERIMETER FRAMED SHOWER SCREEN SYSTEM WITH FRAMELESS HINGED DOOR

CUTTING SHEET

DESIGN CODE: 5081SC PF2FP

JOB NO. _____ DATE ____ / ____ / ____

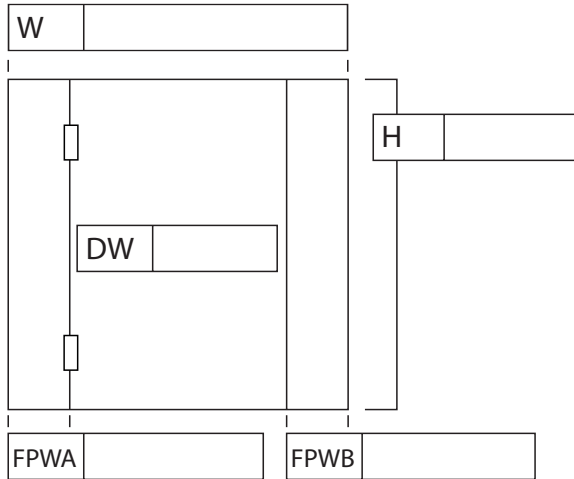
CLIENT DETAILS

NAME: _____
 ADDRESS: _____
 PHONE NO: _____
 EMAIL: _____

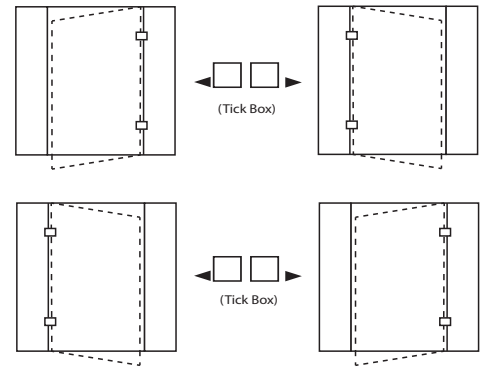
PRODUCT DETAILS

APPLICATION: **FRONT WITH 2 FIXED PANELS**
 PANEL TYPE: _____
 COLOUR: _____
 OTHER: _____

SCHEMATIC



PLEASE INDICATE SHOWER ENCLOSURE HAND



CUTTING FORMULA HEIGHT GUIDE

PRODUCT CODE	DESCRIPTION	QTY	CUTTING FORMULA	EXTRUSION LENGTH
FRONT	SE131	Head/Sill	2	H - 72
	SE69	Wall Channel/Fixing Leg	2	H
Note: Square cut ends.				

CUTTING FORMULA WIDTH GUIDE

PRODUCT CODE	DESCRIPTION	QTY	CUTTING FORMULA	EXTRUSION LENGTH
FRONT	SE131	Head/Sill	2	W - 88
	Note: Square cut ends. Use smallest width dimensions.			

GLASS SPECIFICATION GUIDE

DIMENSIONS	QTY	FORMULA	SPEC
DOOR	Height	1	H - 75
	Width	1	DW
Note: Door width as required. All edges to be flat polished.			
FIXED PANEL A	Height	1	H - 38
	Width	1	FPWA - 30
Note: Cut out edge to be flat polished.			
FIXED PANEL B	Height	1	H - 38
	Width	1	FPWB - 30
Note: One vertical edge to be flat polished.			

SPECIAL NOTES

- Refer to glass preparation and dimension guide.
 - All deductions are for midpoint adjustment range.
 - Assumes use of 6mm toughened glass.
 - Include 8mm hole on door glass for handle.
- Note:** If **SEBWS: Bulb Water Seal** required amend FPWA and FPWB from - 30 to - 35.