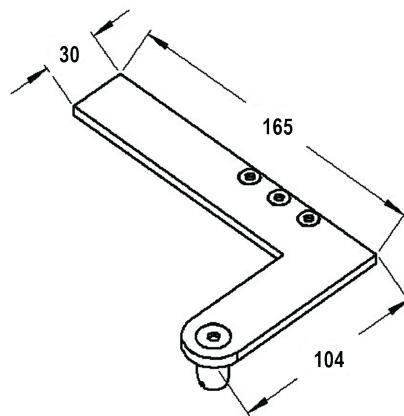




Product Image



Dimensions

### DETAILS

#### 90° Patch to Patch Pivot Arm

- 15mm clearance between gate & side panel
- End of side panel overlaps gate by 9mm
- Used with MP20 patch fitting (see page 9.4a)
- Right hand shown above (PGA-3R), as in fixed panel on the right when gate opening out, fixed panel on the left when gate opening in.

### FINISHES

- Polished
- Satin

Base material: 316 Stainless Steel