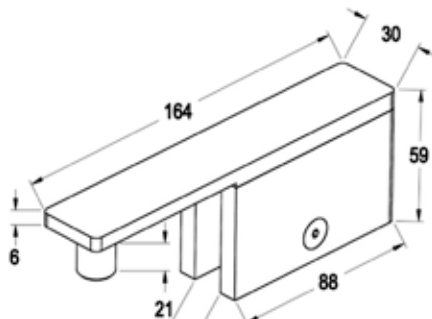
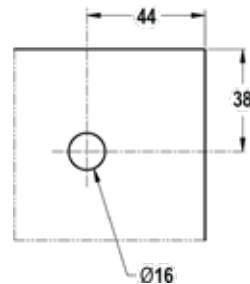




Product Image



Dimensions



Glass Preparation

### DETAILS

#### Glass to Patch Pivot Arm

- Replaces PGA-1 & PGA-2, combining the best features of both
- 5mm clearance between gate & pivot panel

### FINISHES

- Polished
- Satin

Base material: 2205 Stainless Steel