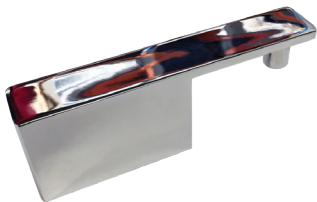
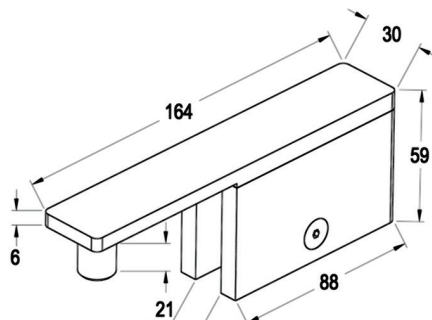


# FRAMELESS GLASS POOL GATE HARDWARE

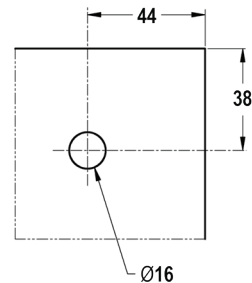
## PGA-S2



Product Image



Dimensions



Glass Preparation

## DETAILS

### Glass to Patch Pivot Arm

- Replaces PGA-1 & PGA-2, combining the best features of both
- 5mm clearance between gate & pivot panel

## FINISHES

- Polished
- Satin

Base material: 2205 Stainless Steel