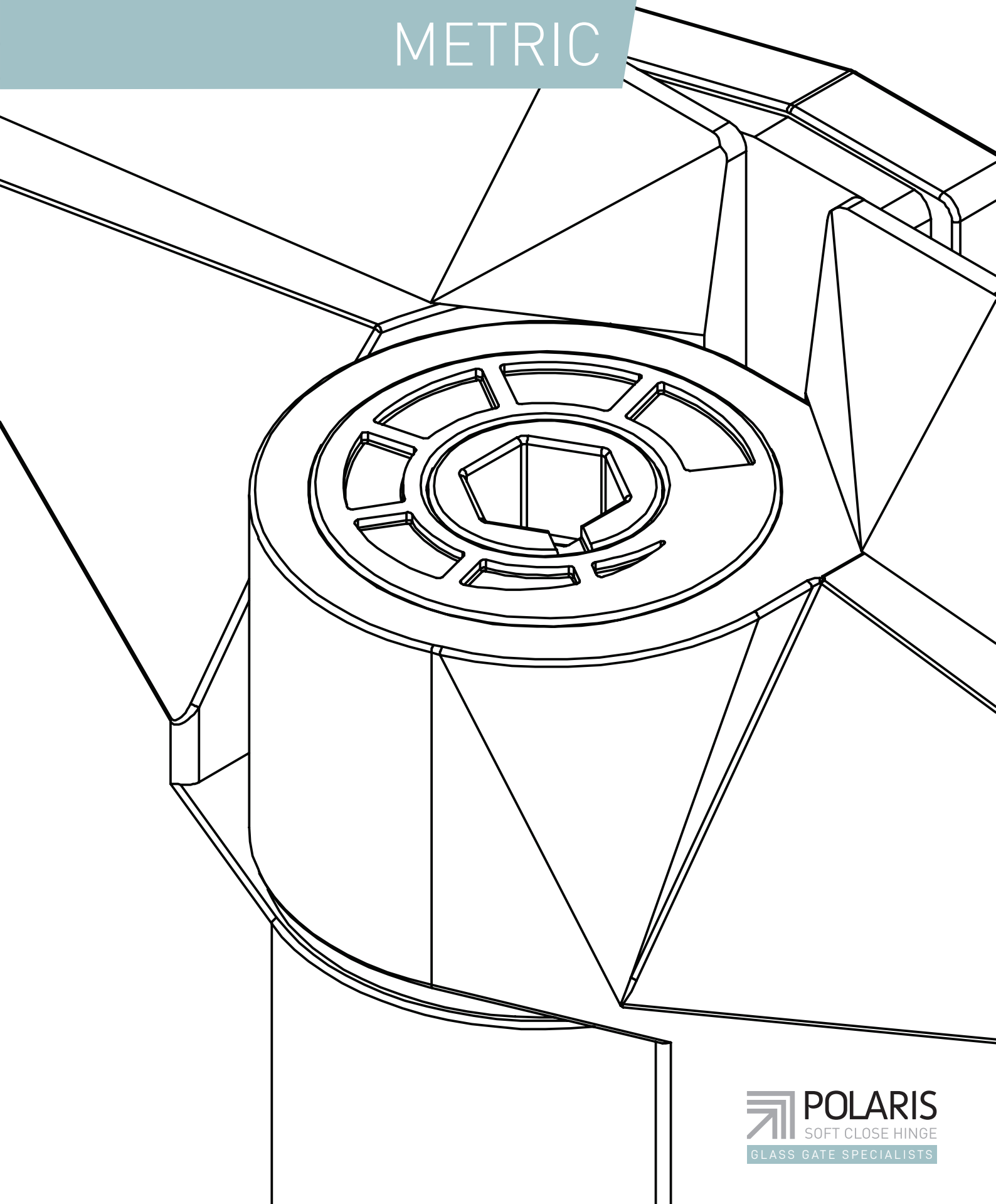


POLARIS SOFT CLOSE HINGE

Product Guide

METRIC



INTRODUCING POLARIS SOFT CLOSE HINGE STATE-OF-THE-ART SELF-CLOSING HINGE FOR FRAMELESS GLASS

The Polaris Soft Close Hinge developed by Glass Hardware Australia is a unique self-closing hinge for use in all outdoor and indoor frameless glass applications. It was designed to meet the tough requirements of frameless glass pool fencing in Australia so can be used in all applications where glass doors or gates are needed. The Polaris Soft Close Hinge is designed to be resistant to chemicals, to operate in a wet environment and to withstand constant outdoor use and the harsh Australian weather.

To be used as a glass pool fence hinge meant it had to be durable, reliable and last for at least ten years. The sleek stainless steel construction makes it strong and durable but also makes it stylish and attractive. As an architectural feature it is minimalist and its design geometry is compatible with the toughened glass it supports.

The Polaris Soft Close Hinge uses a spring and shock absorbers to ensure gentle closing every time from any position, position, whether fully or only slightly open. The Polaris Soft Close Hinge closes with a soft and light action not only making it safe but also quiet in operation.

As a glass pool fence hinge it is the safest and most reliable hinge in the industry complying with the stringent Australian Standards AS1926 and AS 2820.

In 2010 & 2016 the Polaris Soft Close Hinge was awarded a prestigious Australian International Design Mark™ Award. Presented by Standards Australia, the Australian International Design Awards is Australia's premier design assessment program. Products were judged for their innovation, visual and emotional appeal, functionality, quality of manufacturing, usability & environmental sustainability.

Michael Stuart, the CEO of Glass Hardware Australia, is an industry insider with significant, first-hand experience of installation (and materials supply) and understands the needs of installers, customers and other major stakeholders in the industry. His passionate concern for the safety of glass pool fences has driven him to develop a soft close hinge that will not only meet Australia's safety standards for glass pool fences but is suitable for a range of indoor and outdoor applications.

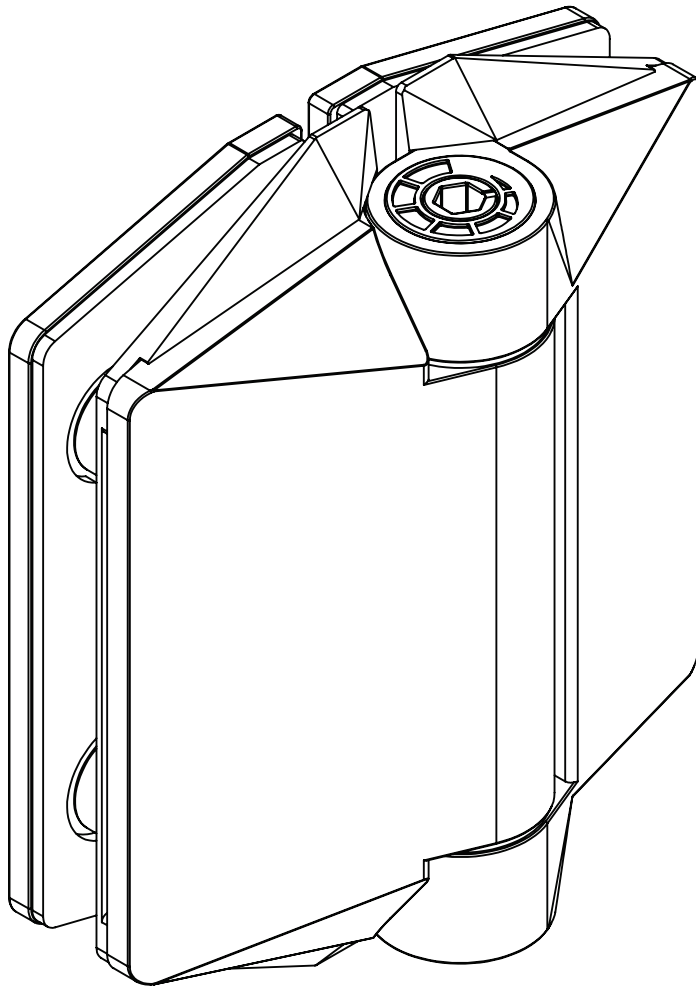
The Polaris Soft Close Hinge is a state-of-the-art product that is ahead of its rivals in design, style and safety.

CONTENTS

01	125 SERIES POOL HINGE	1-6
	Glass to Glass	Glass to Post Brackets
	Glass to Wall	
02	130 SERIES POOL HINGE - RETRO FIT	7-8
	Glass to Glass	
03	155 SERIES INTERNAL HINGE - RETRO FIT	9-14
	Glass to Glass	Glass to Round Post
	Glass to Wall/Square Post	
04	LATCHES - 600 SERIES	15-18
	Glass to Glass 180 degrees	Glass to Glass Reverse 90 degrees
	Glass to Wall/Post	
	Glass to Glass 90 degrees	
05	LATCHES - 700 SERIES - RETRO FIT	19-24
	Glass to Glass 180 degrees	Glass to Glass Reverse 90 degrees
	Glass to Wall/Post	Glass to Round Post
	Glass to Glass 90 degrees	
06	SIDE PULL LATCHES	25-26
07	POLY HINGE - RETRO FIT	27-28
08	GROUT	29-30
09	MISCELLANEOUS	31-37
	125 Hinge Glass to Glass cut out	
	125 Hinge Glass to Wall/Post cut out	
	130 Hinge Glass to Glass cut out	
	155 Hinge Glass to Glass cut out	
	155 Hinge Glass to Wall/Post cut out	
	Polaris Gate Latch Glass Holes - 600 series	
	Retrofit Gate latch Glass Holes - 700 series	

125 SERIES POOL HINGE

GLASS TO GLASS

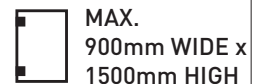


FINISHES AND FUNCTIONS

- 2205 GRADE STAINLESS STEEL
- 3 SURFACE FINISHES
- SIMPLE *QUIK-ADJUST* RATCHET SYSTEM
- SINGLE ACTION
- SOFT CLOSE
- NON-HOLD OPEN
- ANTI-FOOT-HOLD GASKET AND SAFETY CAP INCLUDED



10mm
12mm



MAX.
900mm WIDE x
1500mm HIGH



MAX 45kg



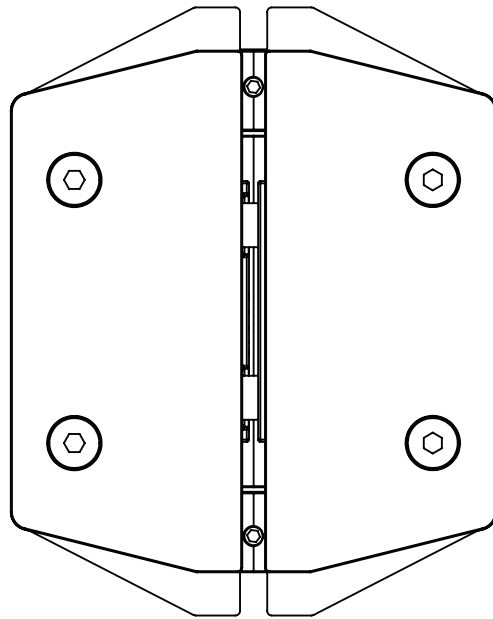
- 10°C
+ 50°C



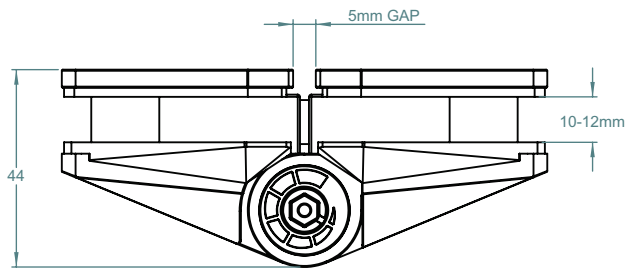
90°

125 SERIES POOL HINGE

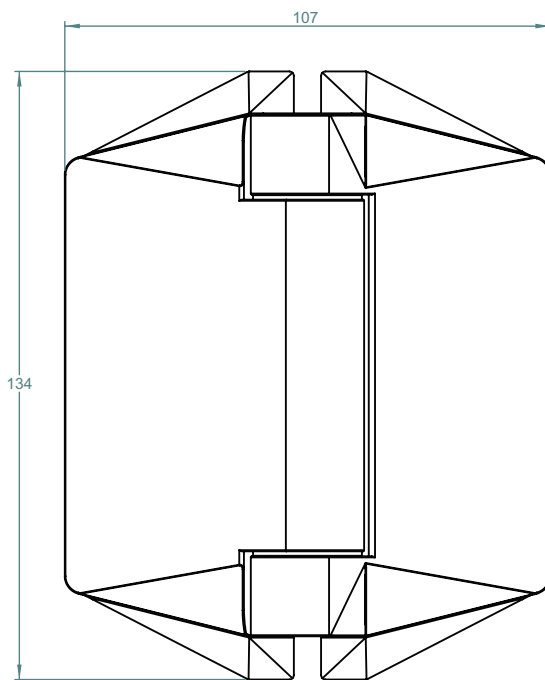
- SELF-CLOSING SAFETY HINGE FOR GLASS POOL FENCING
- TO BE USED WITH CHILD PROOF SAFETY LATCH
- COMPLIES WITH AUSTRALIAN STANDARDS FOR POOL GATE HARDWARE
- NATA ACCREDITED AND INDEPENDENTLY TESTED TO 25 000 CYCLES (NATA = NATIONAL ASSOCIATION OF TESTING AUTHORITIES AUSTRALIA)



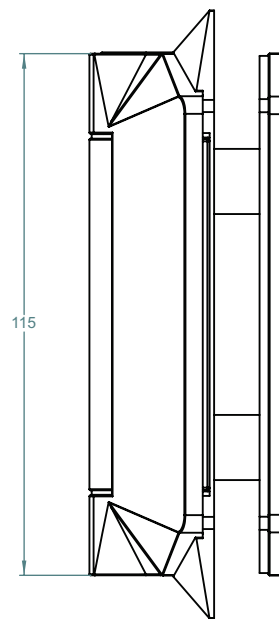
REAR VIEW



TOP VIEW



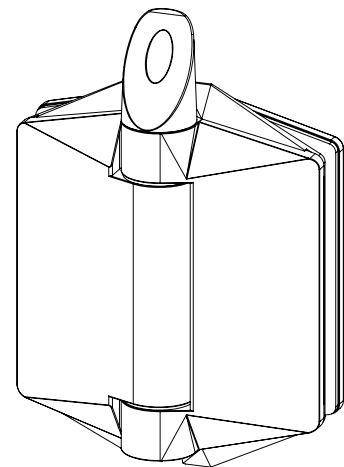
FRONT VIEW



SIDE VIEW

TO ORDER SPECIFY:

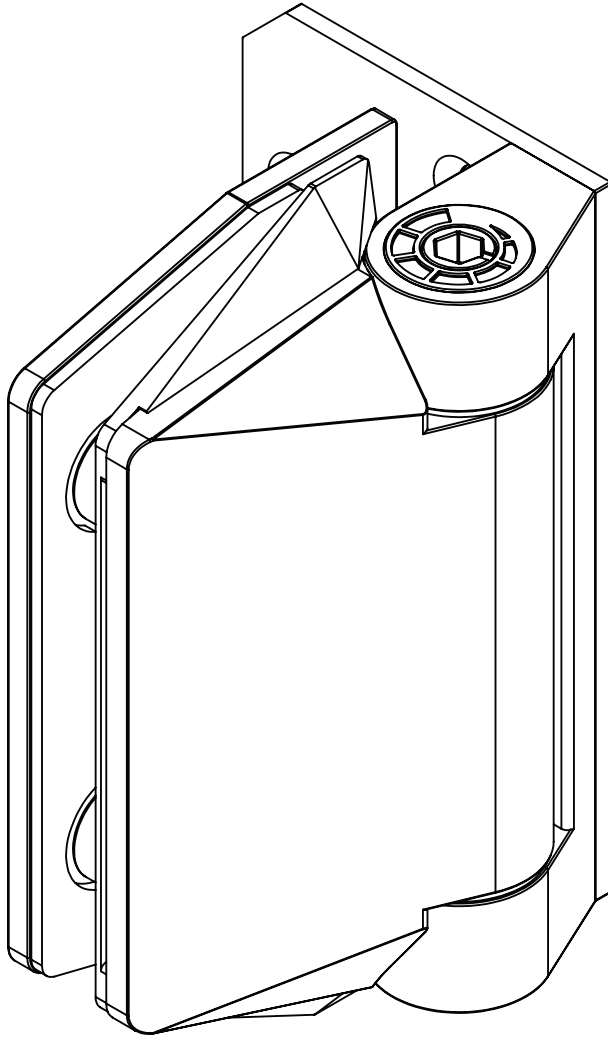
- 125GP POLISHED FINISH
- 125GS SATIN FINISH
- 125GB BLACK FINISH



INSTALLED SAFETY CAP

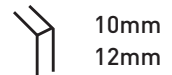
125 SERIES POOL HINGE

GLASS TO WALL

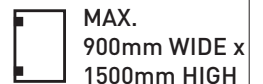


FINISHES AND FUNCTIONS

- 2205 GRADE STAINLESS STEEL
- 3 SURFACE FINISHES
- SIMPLE *QUIK-ADJUST* RATCHET SYSTEM
- SINGLE-ACTION
- SOFT CLOSE
- NON-HOLD OPEN
- ANTI-FOOT-HOLD GASKET AND SAFETY CAP INCLUDED



10mm
12mm



MAX.
900mm WIDE x
1500mm HIGH



MAX 45kg



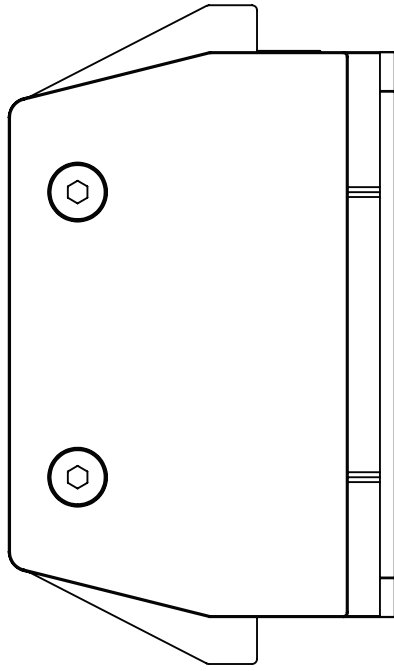
- 10°C
+ 50°C



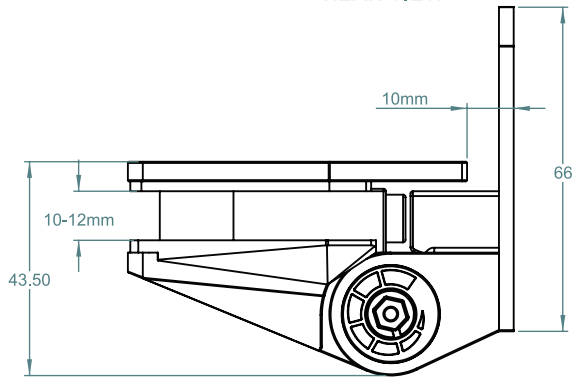
90°

125 SERIES POOL HINGE

- SELF-CLOSING SAFETY HINGE FOR GLASS POOL FENCING
- TO BE USED WITH CHILD PROOF SAFETY LATCH
- COMPLIES WITH AUSTRALIAN STANDARDS FOR POOL GATE HARDWARE
- NATA ACCREDITED AND INDEPENDENTLY TESTED TO 25 000 CYCLES (NATA = NATIONAL ASSOCIATION OF TESTING AUTHORITIES AUSTRALIA)



REAR VIEW

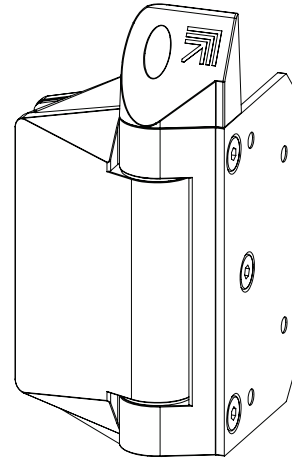


TOP VIEW

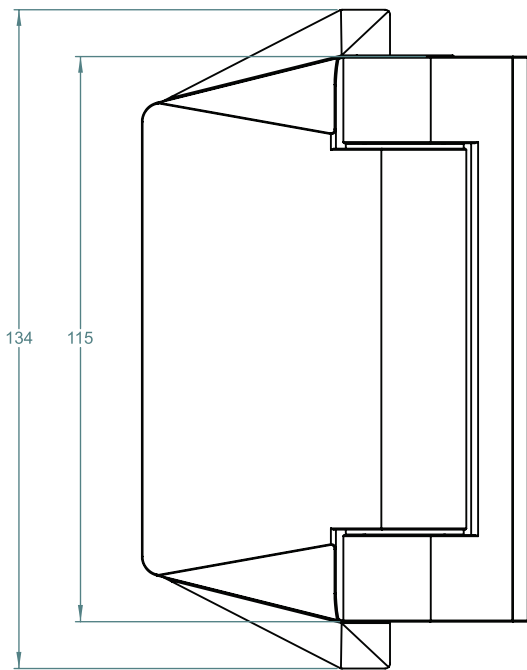
TO ORDER SPECIFY:

- 125WP POLISHED FINISH
- 125WS SATIN FINISH
- 125WB BLACK FINISH

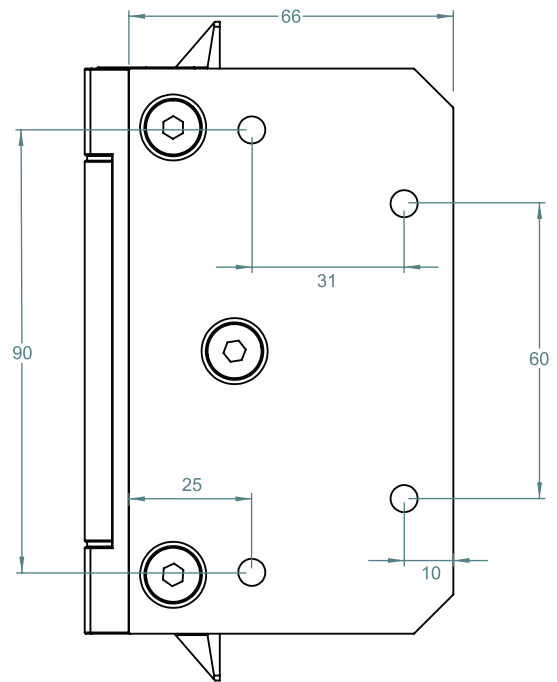
SQUARE OR ROUND
POST BRACKETS
AVAILABLE



INSTALLED SAFETY CAP



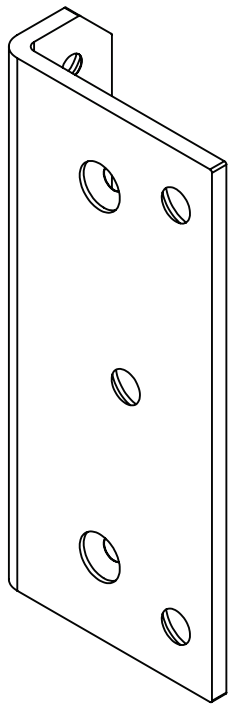
FRONT VIEW



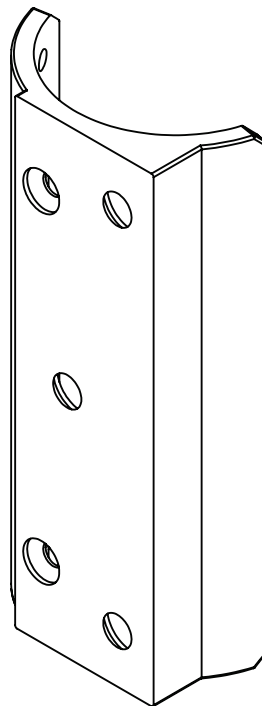
SIDE VIEW

125 SERIES POOL HINGE

GLASS TO POST BRACKETS



**SQUARE POST
BRACKET**
(MODEL SP)



**ROUND POST
BRACKET**
(MODEL RP)

125 SERIES POOL HINGE

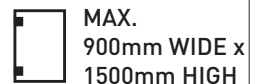
- SELF-CLOSING SAFETY HINGE FOR GLASS POOL FENCING
- TO BE USED WITH CHILD PROOF SAFETY LATCH
- COMPLIES WITH AUSTRALIAN STANDARDS FOR POOL GATE HARDWARE
- NATA ACCREDITED AND INDEPENDENTLY TESTED TO 25 000 CYCLES
(NATA = NATIONAL ASSOCIATION OF TESTING AUTHORITIES AUSTRALIA)

FINISHES AND FUNCTIONS

- 2205 GRADE STAINLESS STEEL
- POLISHED STAINLESS
- BRUSHED STAINLESS
- MATT BLACK
- DESIGNED TO FIT WITH 125 GLASS TO WALL HINGE (MODEL 125W)



10mm
12mm



MAX.
900mm WIDE x
1500mm HIGH



MAX 45kg



- 10°C
+ 50°C

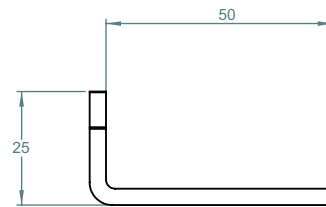


90°

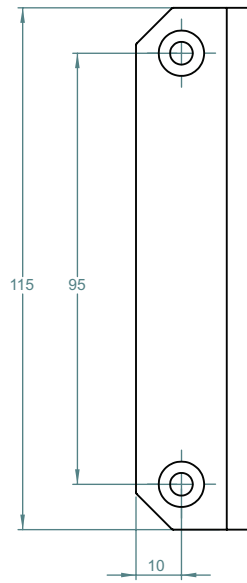
SQUARE POST BRACKET

TO ORDER SPECIFY:

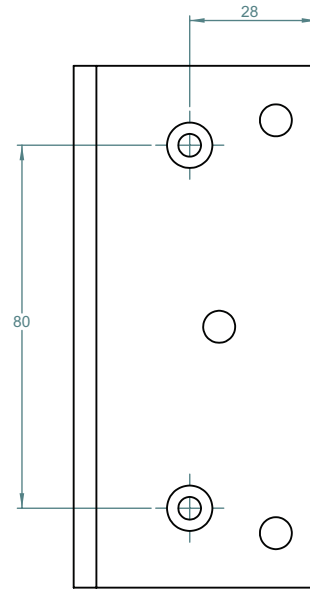
- **SPP** POLISHED FINISH
- **SPS** SATIN FINISH
- **SPB** BLACK FINISH



TOP VIEW



FRONT VIEW

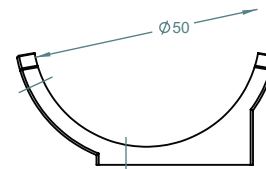


SIDE VIEW

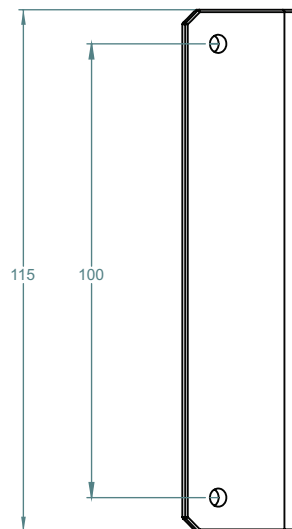
ROUND POST BRACKET

TO ORDER SPECIFY:

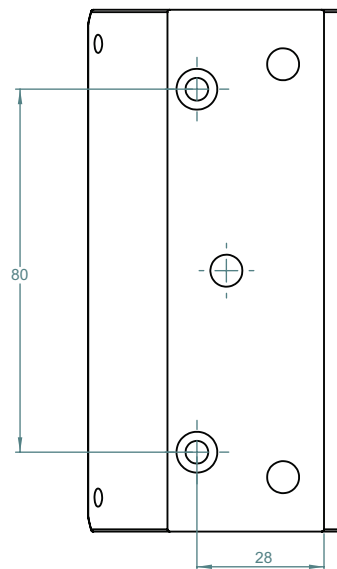
- **RPP** POLISHED FINISH
- **RPS** SATIN FINISH
- **RPB** BLACK FINISH



TOP VIEW



FRONT VIEW

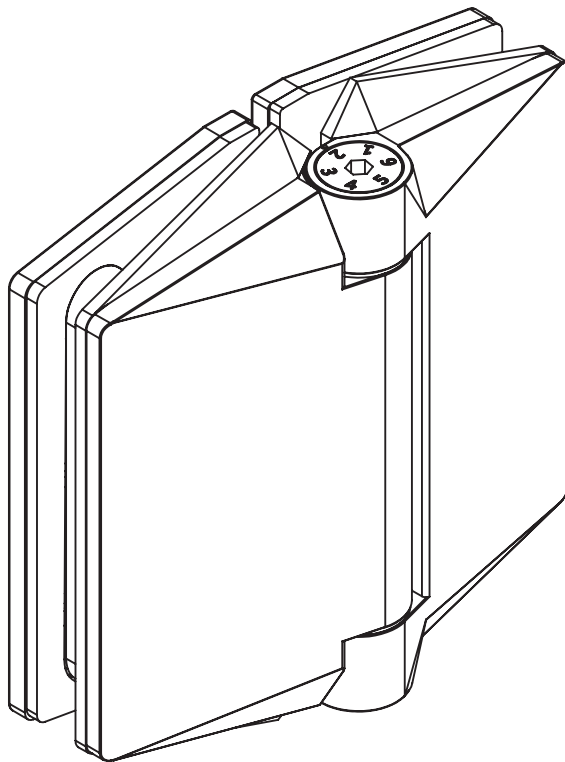


SIDE VIEW

RETRO FIT

130 SERIES POOL HINGE

GLASS TO GLASS



FINISHES AND FUNCTIONS

- 2205 GRADE STAINLESS STEEL
- POLISHED STAINLESS
- BRUSHED STAINLESS
- SINGLE-ACTION
- SOFTCLOSE
- NON-HOLD OPEN
- ANTI-FOOT-HOLD GASKET AND SAFETY CAP INCLUDED



10mm
12mm



MAX.
900mm WIDE x
1500mm HIGH



MAX 45kg



- 10°C
+ 50°C

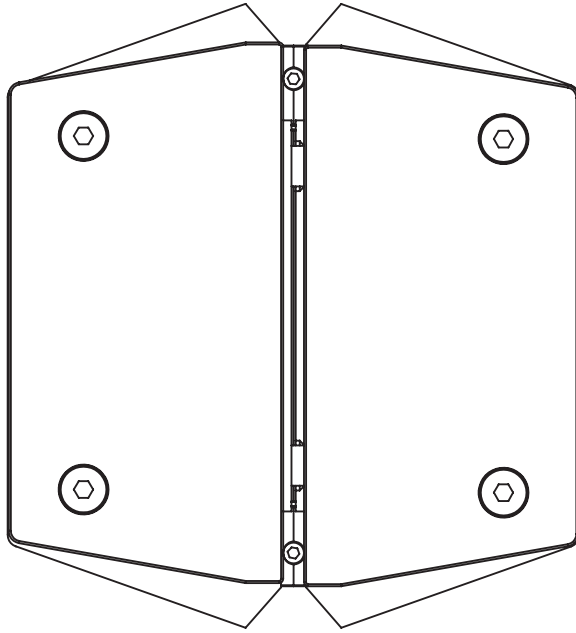


90°

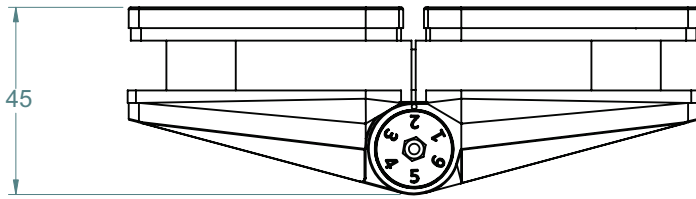
130 SERIES POOL HINGE

- SELF-CLOSING SAFETY HINGE FOR GLASS POOL FENCING
- TO BE USED WITH CHILD PROOF SAFETY LATCH
- COMPLIES WITH AUSTRALIAN STANDARDS FOR POOL GATE HARDWARE
- NATA ACCREDITED AND INDEPENDENTLY TESTED TO 25 000 CYCLES (NATA = NATIONAL ASSOCIATION OF TESTING AUTHORITIES AUSTRALIA)

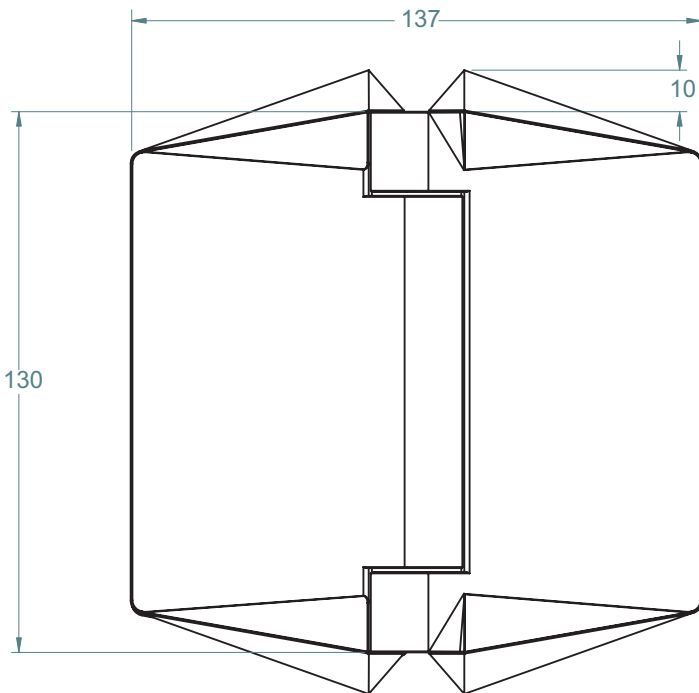
RETRO FIT



REAR VIEW



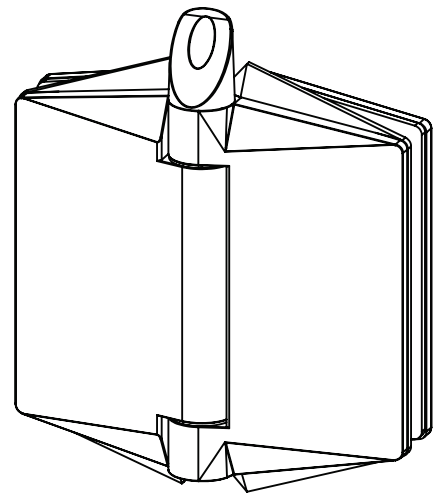
TOP VIEW



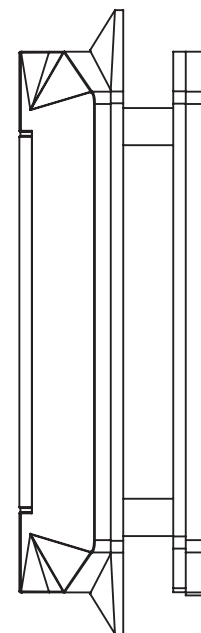
FRONT VIEW

TO ORDER SPECIFY:

- 130GP POLISHED FINISH
- 130GS SATIN FINISH



INSTALLED SAFETY CAP

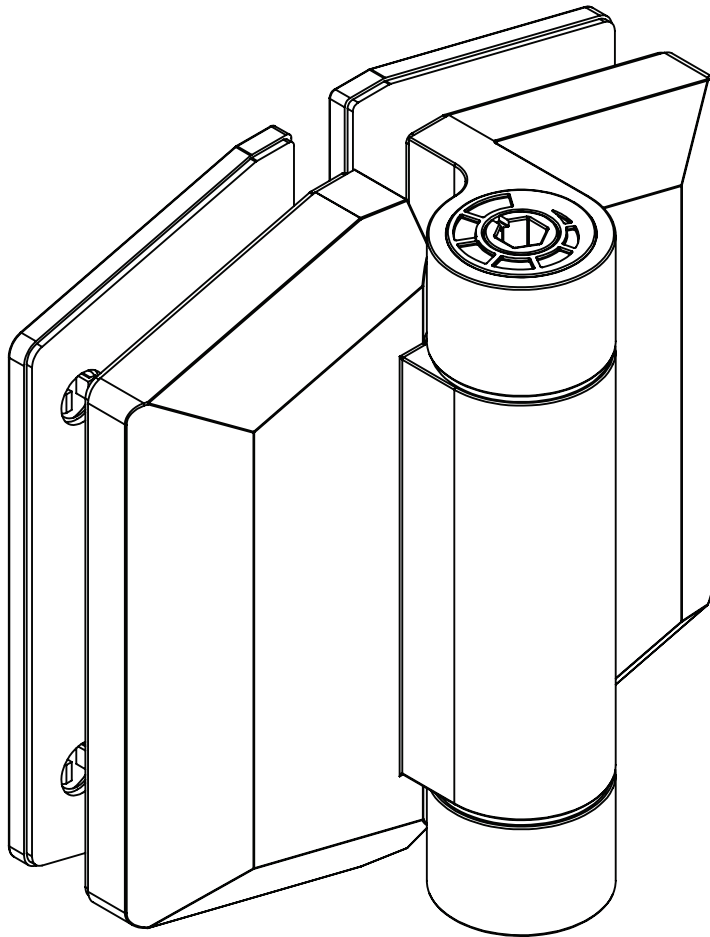


SIDE VIEW

RETRO FIT

155 SERIES POOL HINGE

GLASS TO GLASS



FINISHES AND FUNCTIONS

- 2205 GRADE STAINLESS STEEL
- 3 SURFACE FINISHES
- SIMPLE *QUIK-ADJUST* RATCHET SYSTEM
- SINGLE ACTION
- SOFT CLOSE
- NON-HOLD OPEN
- SAFETY CAP INCLUDED



8mm
10mm
12mm



MAX.
900mm WIDE x
1500mm HIGH



MAX 45kg



- 10°C
+ 50°C

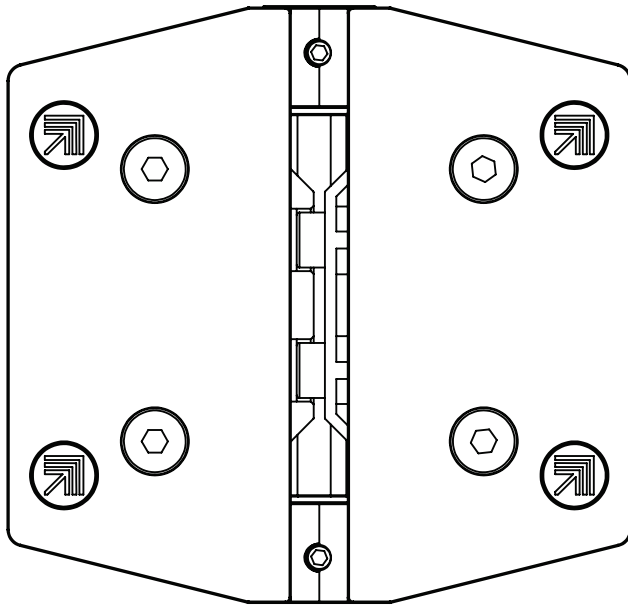


180°

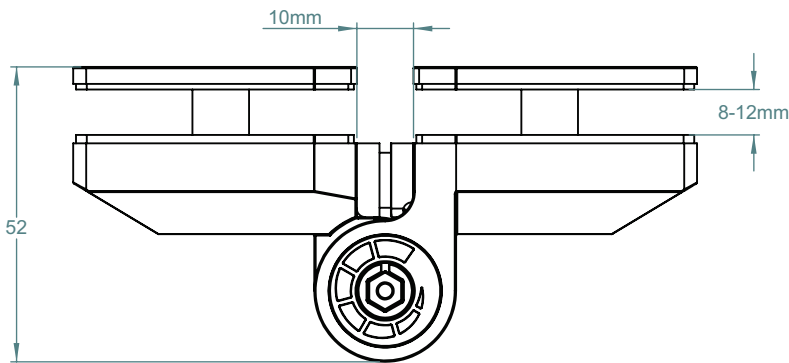
155 SERIES POOL HINGE

- SELF-CLOSING SAFETY HINGE FOR GLASS POOL FENCING
- TO BE USED WITH CHILD PROOF SAFETY LATCH
- COMPLIES WITH AUSTRALIAN STANDARDS FOR POOL GATE HARDWARE
- NATA ACCREDITED AND INDEPENDENTLY TESTED TO 25 000 CYCLES (NATA = NATIONAL ASSOCIATION OF TESTING AUTHORITIES AUSTRALIA)

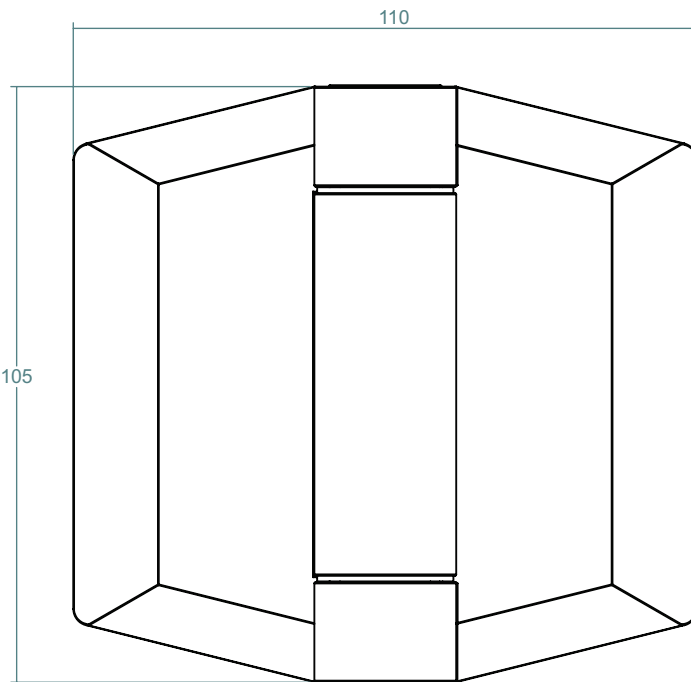
RETRO FIT



REAR VIEW



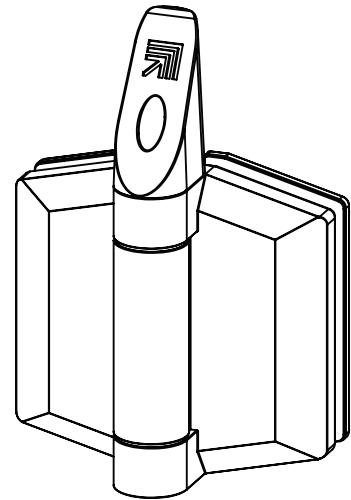
TOP VIEW



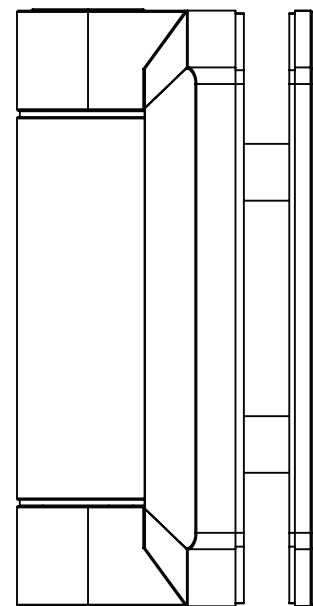
FRONT VIEW

TO ORDER SPECIFY:

- 155GP POLISHED FINISH
- 155GS SATIN FINISH
- 155GB BLACK FINISH



INSTALLED SAFETY CAP

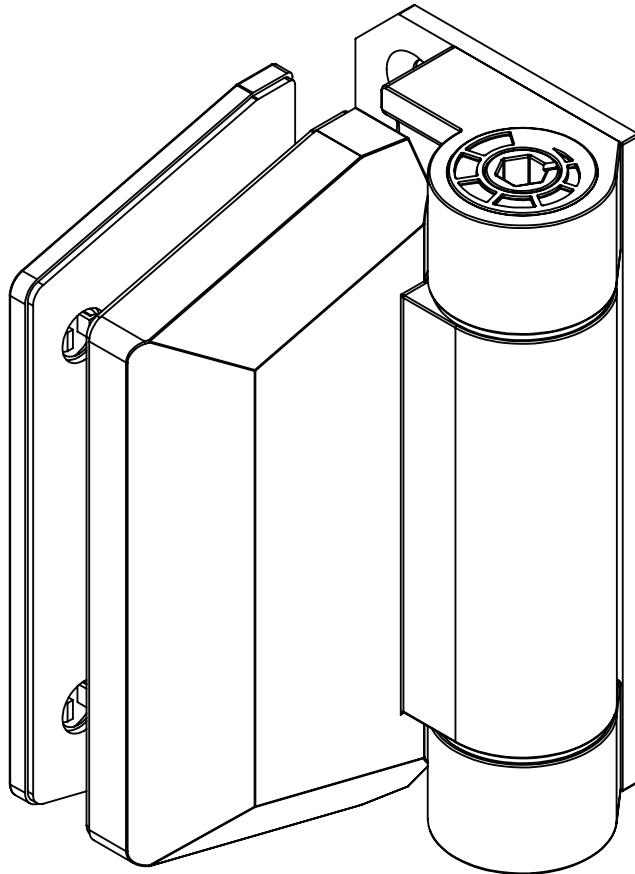


SIDE VIEW

RETRO FIT

155 SERIES POOL HINGE

GLASS TO WALL/SQUARE POST



FINISHES AND FUNCTIONS

- 2205 GRADE STAINLESS STEEL
- 3 SURFACE FINISHES
- SIMPLE *QUIK-ADJUST* RATCHET SYSTEM
- SINGLE ACTION
- SOFT CLOSE
- NON-HOLD OPEN
- SAFETY CAP INCLUDED



8mm
10mm
12mm



MAX.
900mm WIDE x
1500mm HIGH



MAX 45kg



- 10°C
+ 50°C

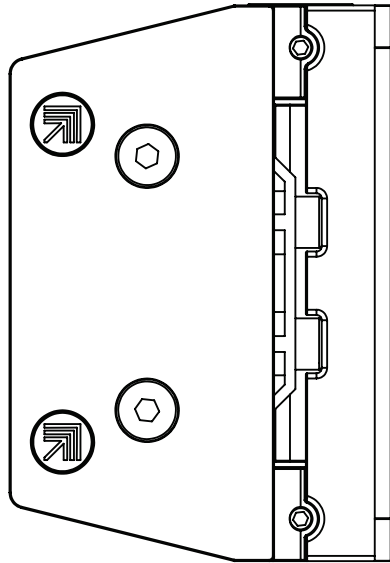


180°

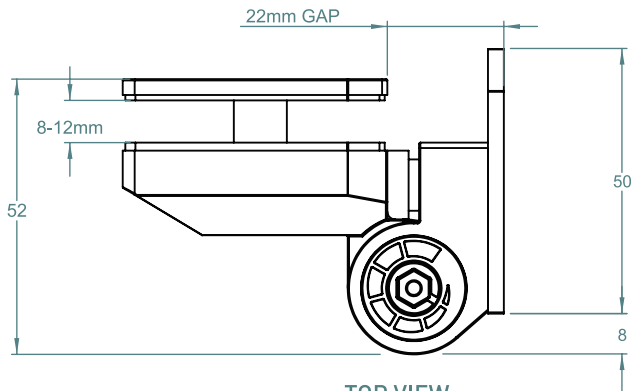
155 SERIES POOL HINGE

- SELF-CLOSING SAFETY HINGE FOR GLASS POOL FENCING
- TO BE USED WITH CHILD PROOF SAFETY LATCH
- COMPLIES WITH AUSTRALIAN STANDARDS FOR POOL GATE HARDWARE
- NATA ACCREDITED AND INDEPENDENTLY TESTED TO 25 000 CYCLES (NATA = NATIONAL ASSOCIATION OF TESTING AUTHORITIES AUSTRALIA)

RETRO FIT



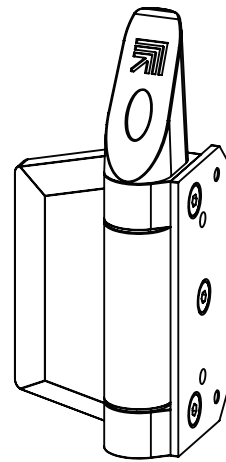
REAR VIEW



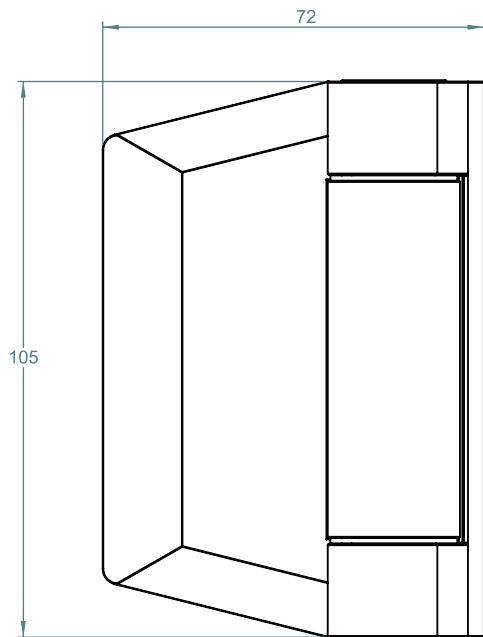
TOP VIEW

TO ORDER SPECIFY:

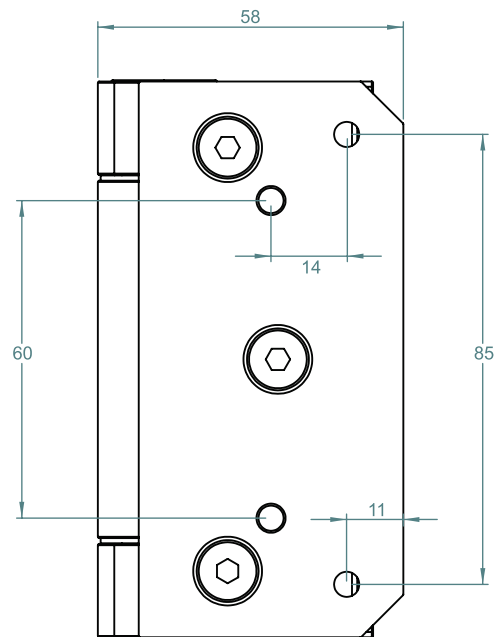
- 155WP POLISHED FINISH
- 155WS SATIN FINISH
- 155WB BLACK FINISH



INSTALLED SAFETY CAP



FRONT VIEW

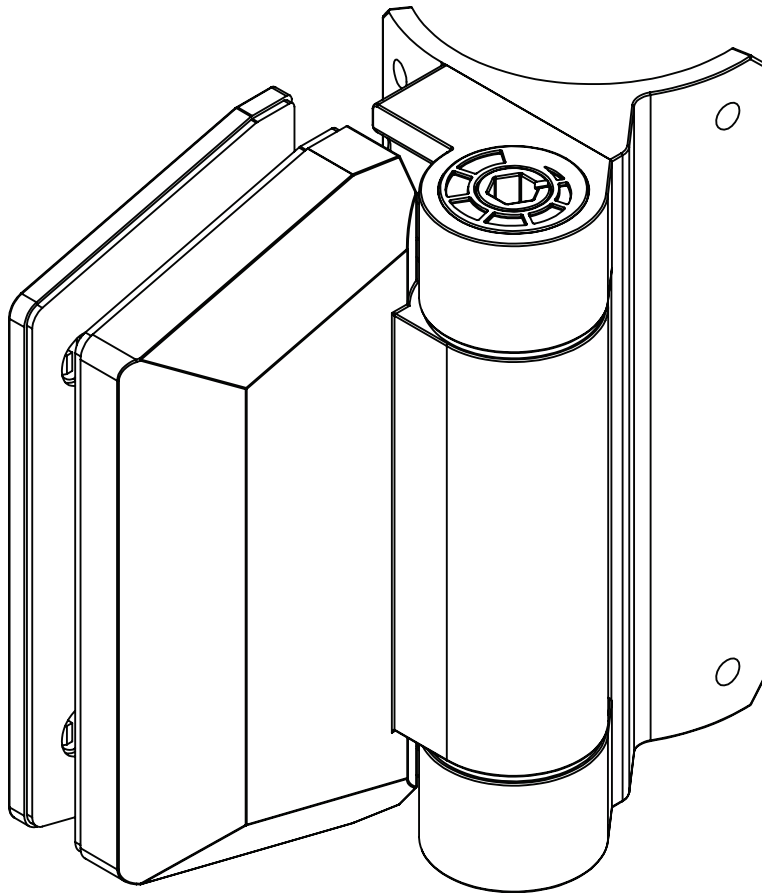


SIDE VIEW

RETRO FIT

155 SERIES POOL HINGE

GLASS TO ROUND POST



FINISHES AND FUNCTIONS

- 2205 GRADE STAINLESS STEEL
- 3 SURFACE FINISHES
- SIMPLE *QUIK-ADJUST* RATCHET SYSTEM
- SINGLE ACTION
- SOFT CLOSE
- NON-HOLD OPEN
- SAFETY CAP INCLUDED



8mm
10mm
12mm



MAX.
900mm WIDE x
1500mm HIGH



MAX 45kg



- 10°C
+ 50°C

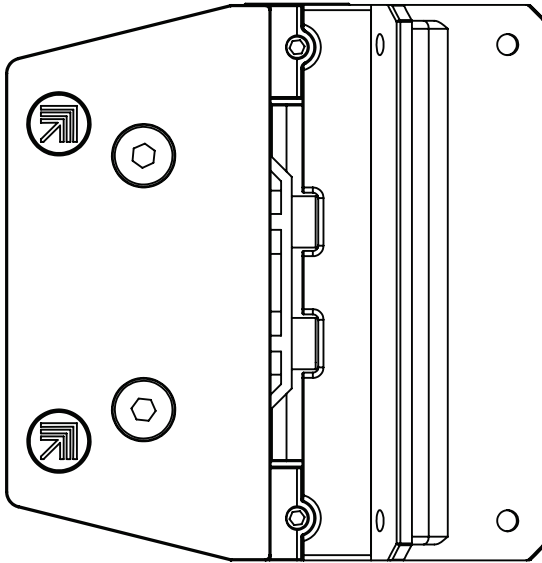


180°

155 SERIES POOL HINGE

- SELF-CLOSING SAFETY HINGE FOR GLASS POOL FENCING
- TO BE USED WITH CHILD PROOF SAFETY LATCH
- COMPLIES WITH AUSTRALIAN STANDARDS FOR POOL GATE HARDWARE
- NATA ACCREDITED AND INDEPENDENTLY TESTED TO 25 000 CYCLES (NATA = NATIONAL ASSOCIATION OF TESTING AUTHORITIES AUSTRALIA)

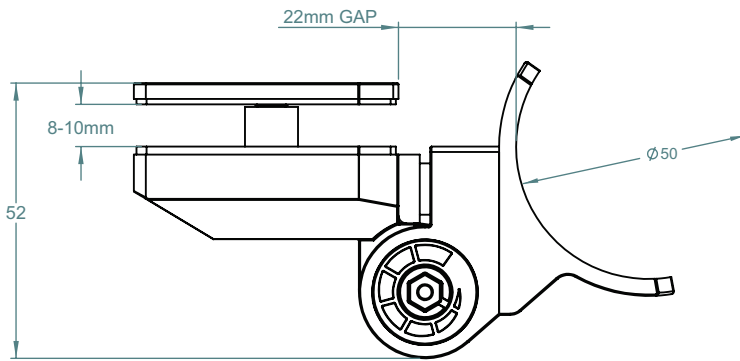
RETRO FIT



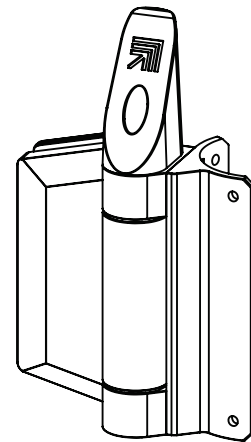
REAR VIEW

TO ORDER SPECIFY:

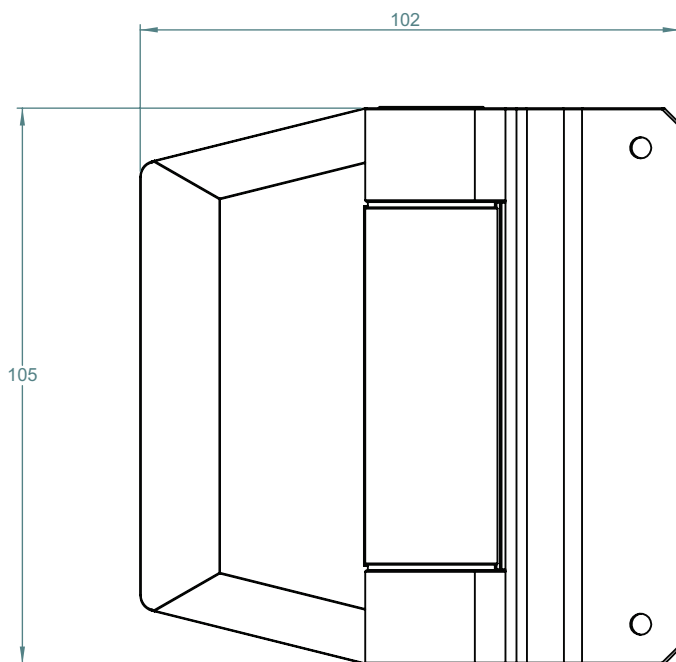
- 155RP POLISHED FINISH
- 155RS SATIN FINISH
- 155RB BLACK FINISH



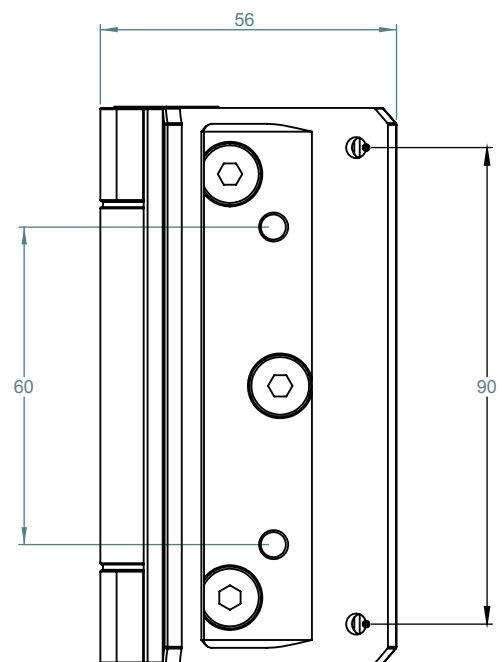
TOP VIEW



INSTALLED SAFETY CAP



FRONT VIEW



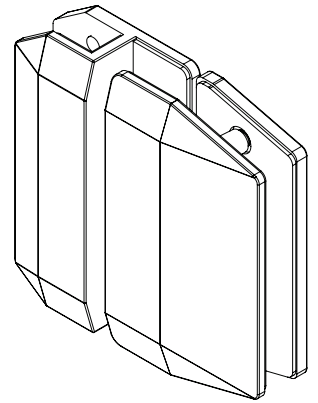
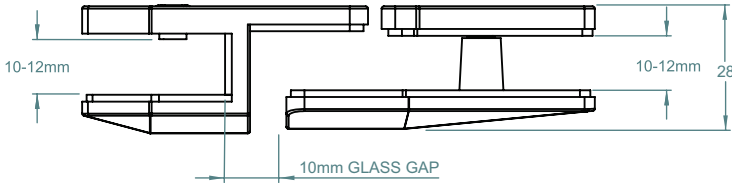
SIDE VIEW

LATCH GLASS TO GLASS 180°

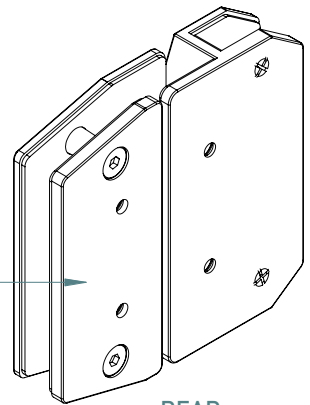
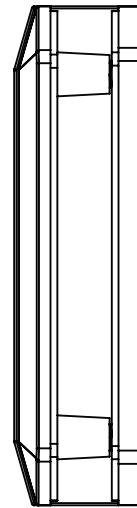
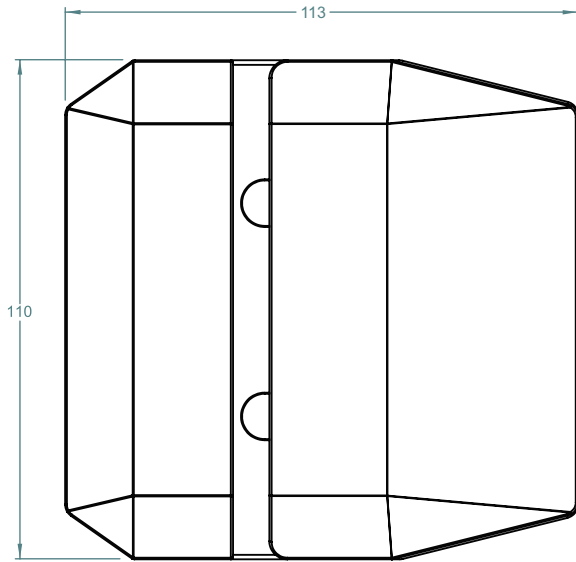
TO ORDER SPECIFY:

POLYMER SIDE PULL INC.
600GP POLISHED FINISH
600GS SATIN FINISH
600GB BLACK FINISH

**POLARIS 2205 S/S
SIDE PULL INC.**
610GP POLISHED FINISH
610GS SATIN FINISH
610GB BLACK FINISH

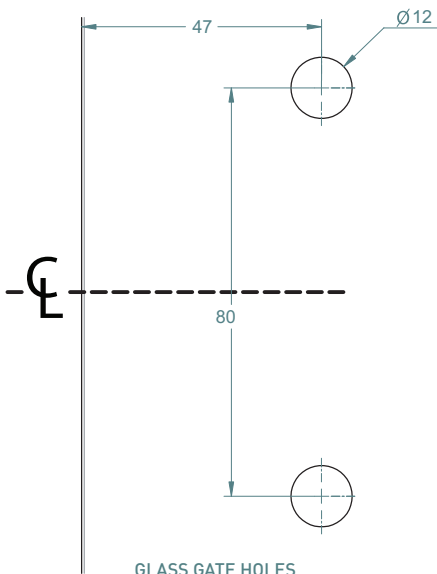


FRONT ISOMETRIC VIEW

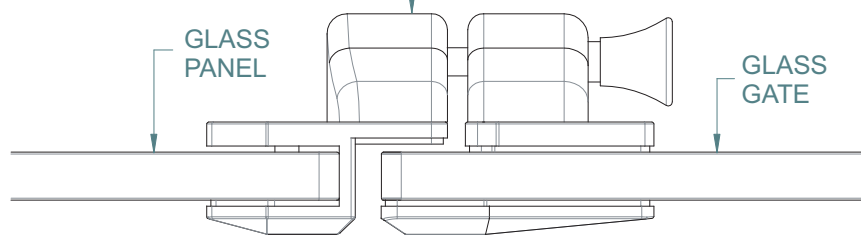


REAR ISOMETRIC VIEW

FITS SIDE PULLS:
* POLARIS 2205 S/S
* NATIONWIDE INDUSTRIES
* DOWNEE
* D&D TECHNOLOGIES



GLASS GATE HOLES



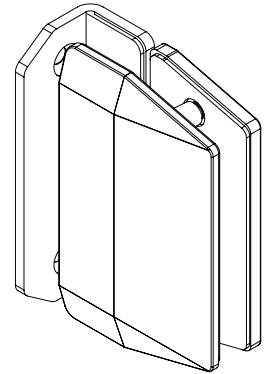
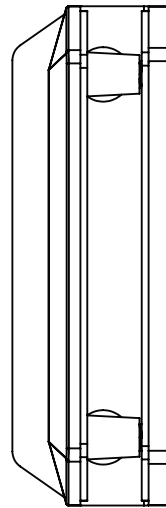
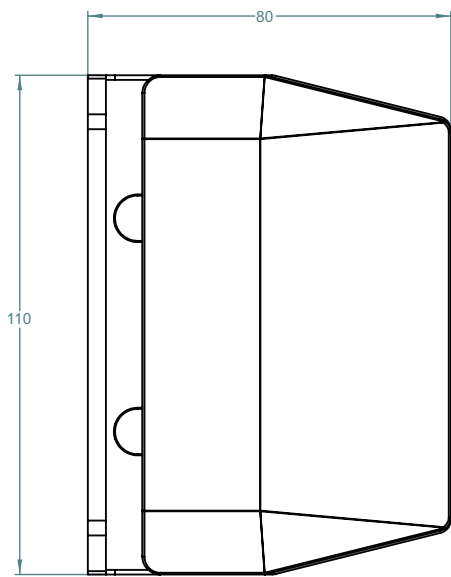
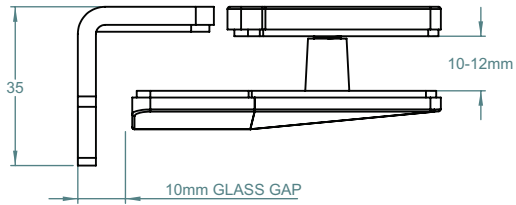
TOP VIEW

LATCH GLASS TO WALL

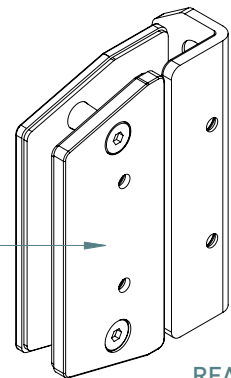
TO ORDER SPECIFY:

POLYMER SIDE PULL INC.
600WP POLISHED FINISH
600WS SATIN FINISH
600WB BLACK FINISH

**POLARIS 2205 S/S
SIDE PULL INC.**
610WP POLISHED FINISH
610WS SATIN FINISH
610WB BLACK FINISH

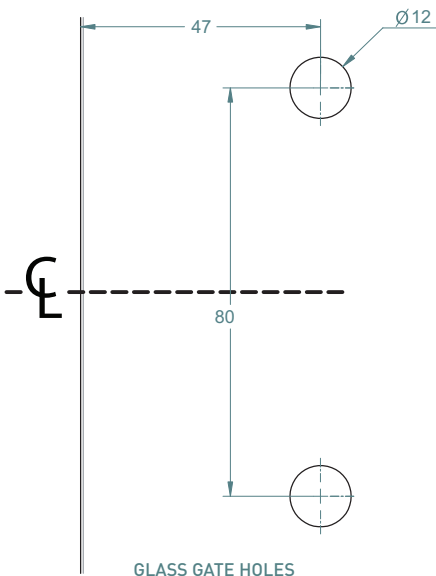


FRONT ISOMETRIC VIEW

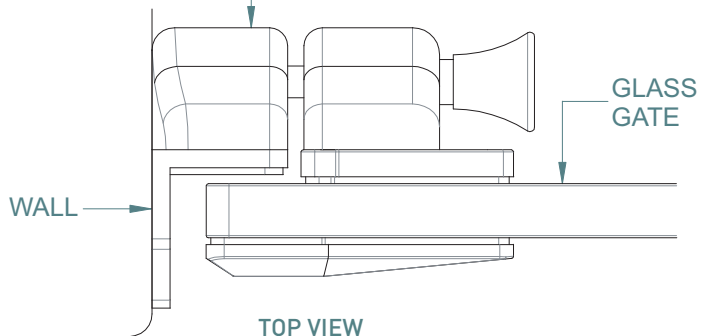


REAR ISOMETRIC VIEW

FITS SIDE PULLS:
* POLARIS 2205 S/S
* NATIONWIDE INDUSTRIES
* DOWNEE
* D&D TECHNOLOGIES



GLASS GATE HOLES

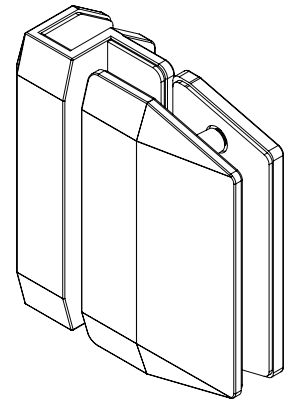
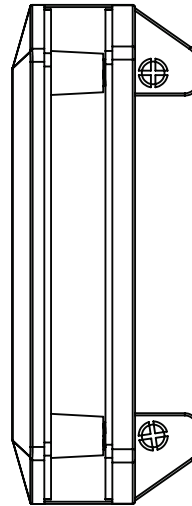
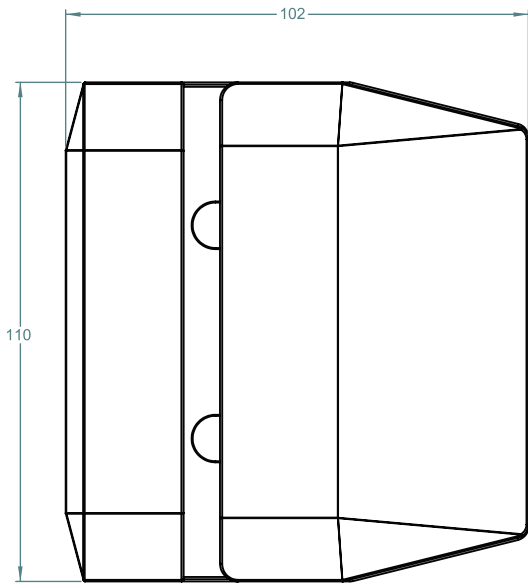
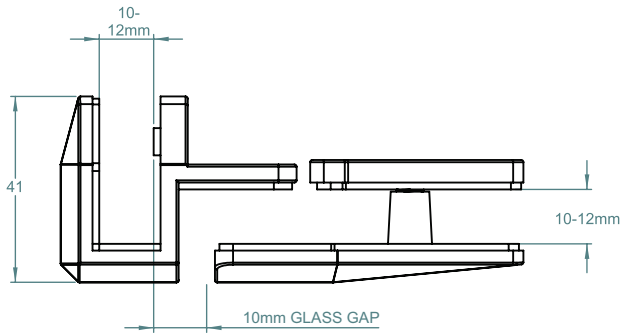


LATCH GLASS TO GLASS 90°

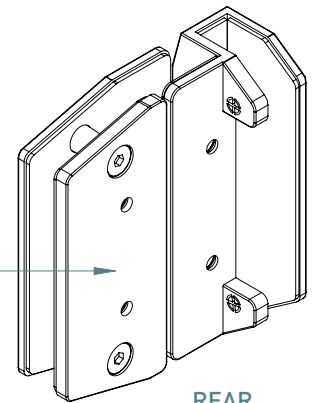
TO ORDER SPECIFY:

POLYMER SIDE PULL INC.
 600G90P POLISHED FINISH
 600G90S SATIN FINISH
 600G90B BLACK FINISH

**POLARIS 2205 S/S
 SIDE PULL INC.**
 610G90P POLISHED FINISH
 610G90S SATIN FINISH
 610G90B BLACK FINISH

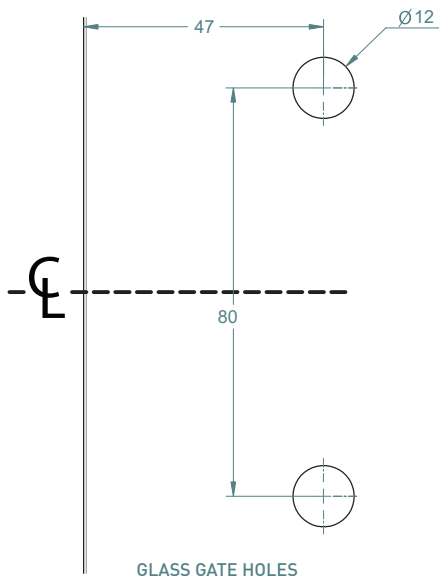


FRONT ISOMETRIC VIEW

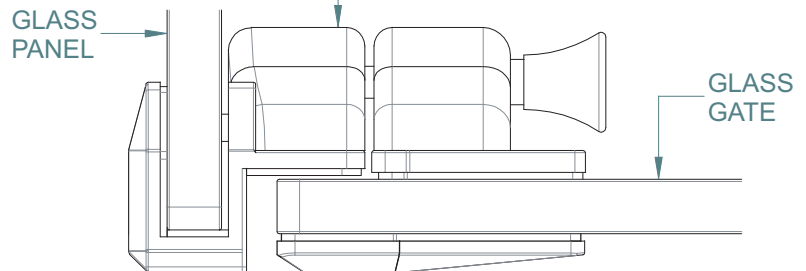


REAR ISOMETRIC VIEW

FITS SIDE PULLS:
 * POLARIS 2205 S/S
 * NATIONWIDE INDUSTRIES
 * DOWNEE
 * D&D TECHNOLOGIES



GLASS GATE HOLES



TOP VIEW

LATCH GLASS TO GLASS REVERSE 90°

TO ORDER SPECIFY:

POLYMER SIDE PULL INC.

600G90RP POLISHED FINISH

600G90RS SATIN FINISH

600G90RB BLACK FINISH

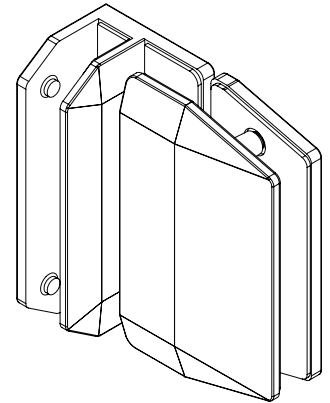
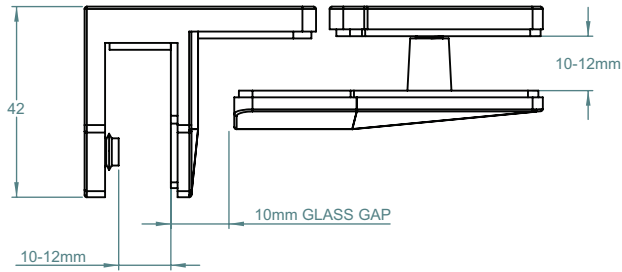
POLARIS 2205 S/S

SIDE PULL INC.

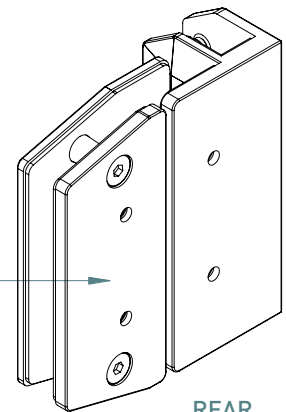
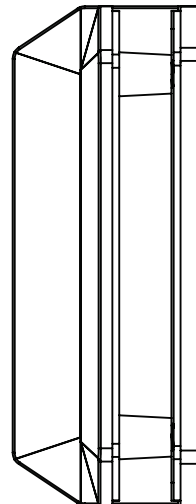
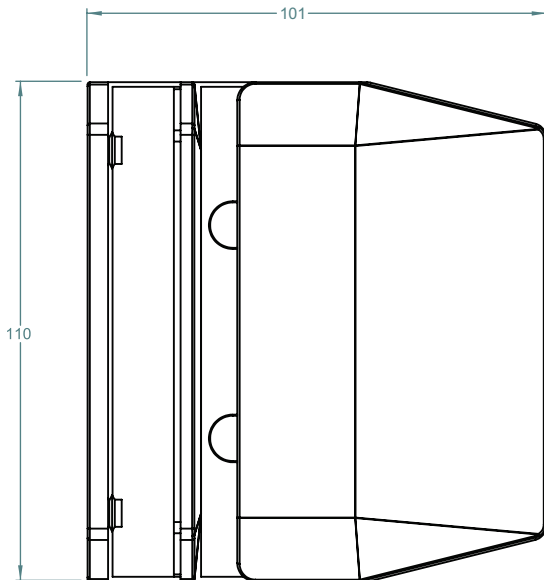
610G90RP POLISHED FINISH

610G90RS SATIN FINISH

610G90RB BLACK FINISH

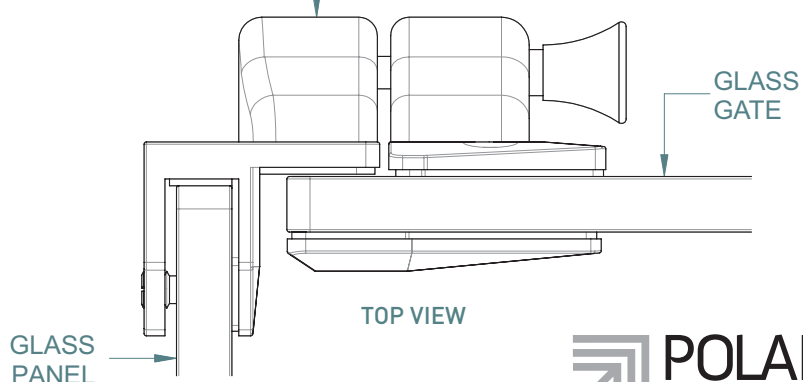
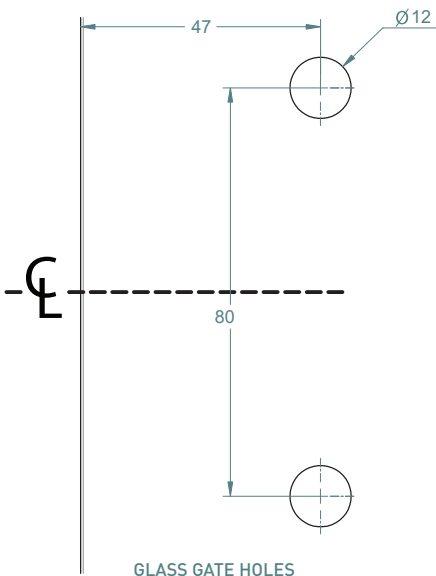


FRONT ISOMETRIC VIEW



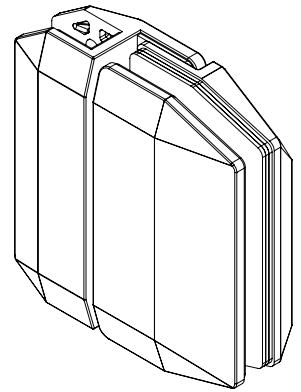
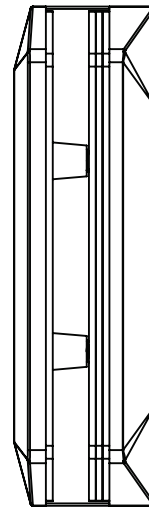
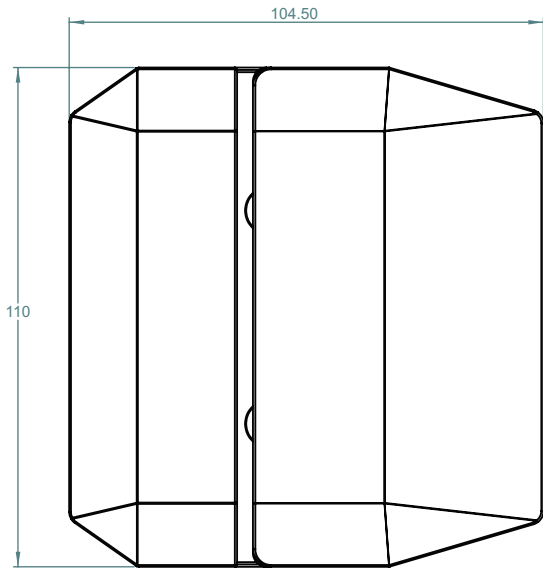
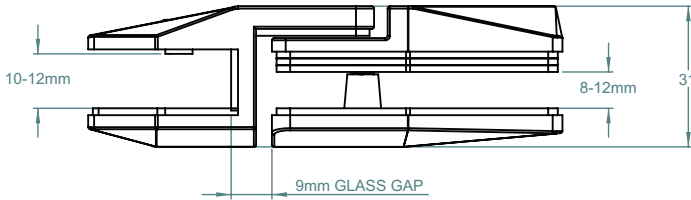
REAR ISOMETRIC VIEW

FITS SIDE PULLS:
 * POLARIS 2205 S/S
 * NATIONWIDE INDUSTRIES
 * DOWNEE
 * D&D TECHNOLOGIES

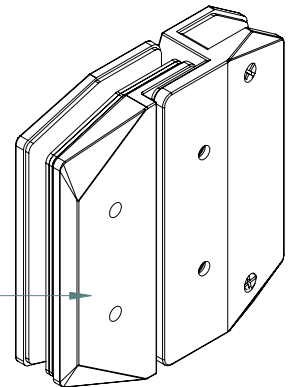


RETROFIT LATCH GLASS TO GLASS 180°

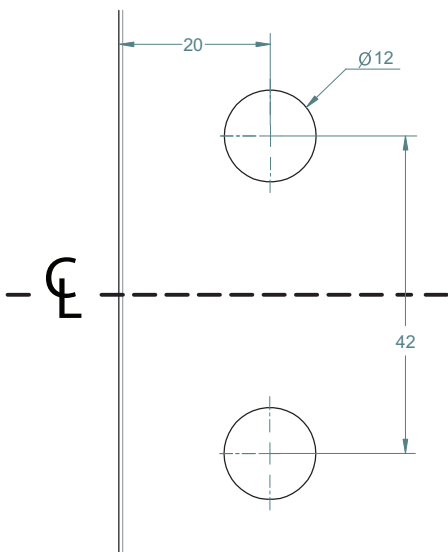
TO ORDER SPECIFY:
POLYMER SIDE PULL INC.
 700GP POLISHED FINISH
 700GS SATIN FINISH
 700GB BLACK FINISH
**POLARIS 2205 S/S
 SIDE PULL INC.**
 710GP POLISHED FINISH
 710GS SATIN FINISH
 710GB BLACK FINISH



FRONT ISOMETRIC VIEW

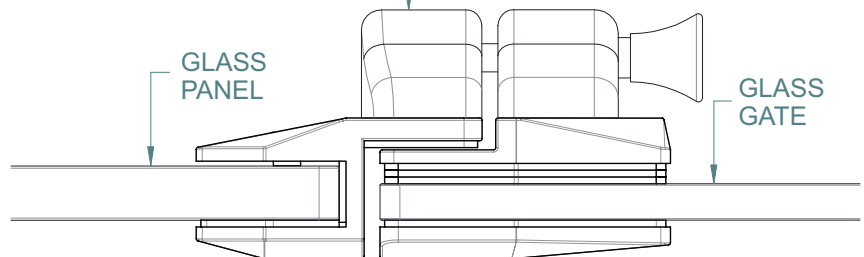


REAR ISOMETRIC VIEW



GLASS GATE HOLES

FITS SIDE PULLS:
 * POLARIS 2205 S/S
 * NATIONWIDE INDUSTRIES
 * DOWNEE
 * D&D TECHNOLOGIES

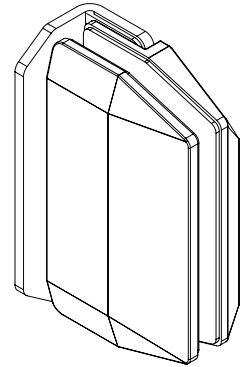
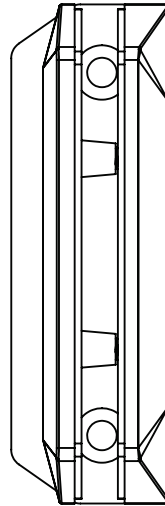
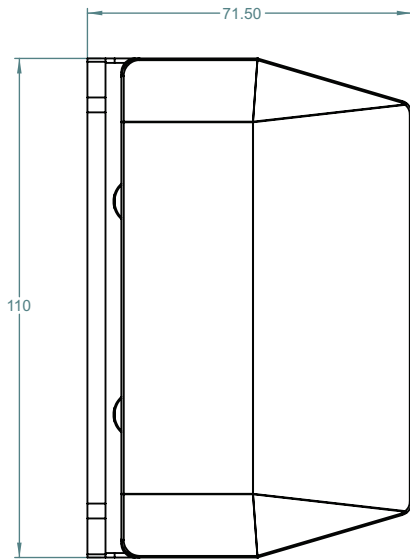
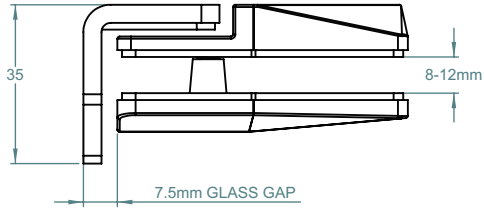


TOP VIEW

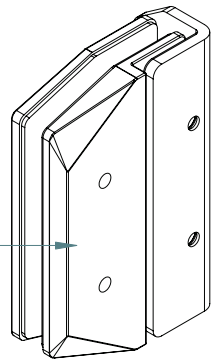
RETROFIT LATCH GLASS TO WALL

TO ORDER SPECIFY:
POLYMER SIDE PULL INC.
 700WP POLISHED FINISH
 700WS SATIN FINISH
 700WB BLACK FINISH

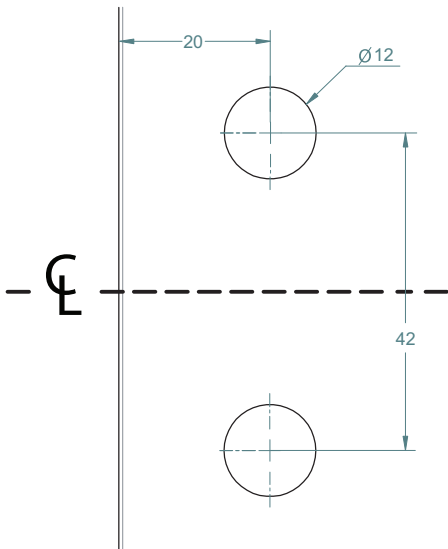
**POLARIS 2205 S/S
 SIDE PULL INC.**
 710WP POLISHED FINISH
 710WS SATIN FINISH
 710WB BLACK FINISH



FRONT ISOMETRIC VIEW

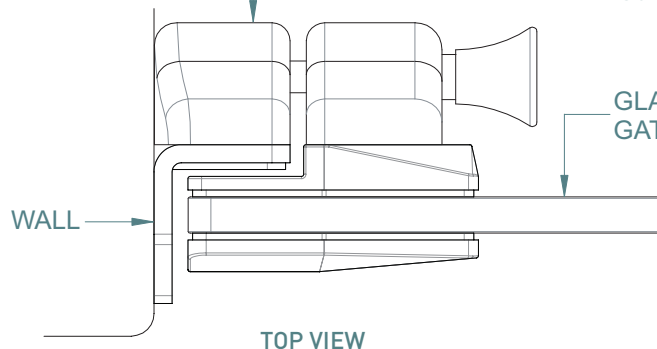


REAR ISOMETRIC VIEW



GLASS GATE HOLES

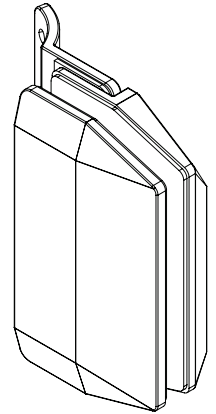
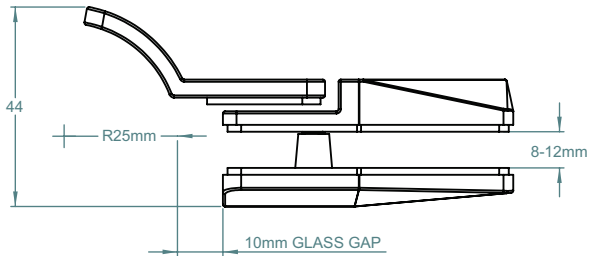
FITS SIDE PULLS:
 * POLARIS 2205 S/S
 * NATIONWIDE INDUSTRIES
 * DOWNEE
 * D&D TECHNOLOGIES



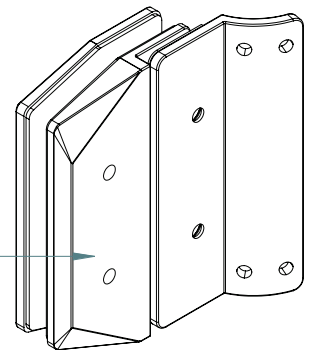
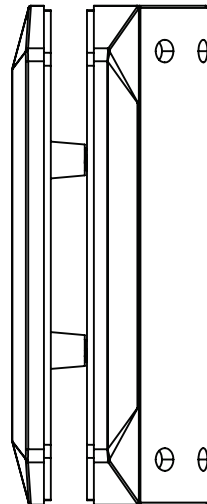
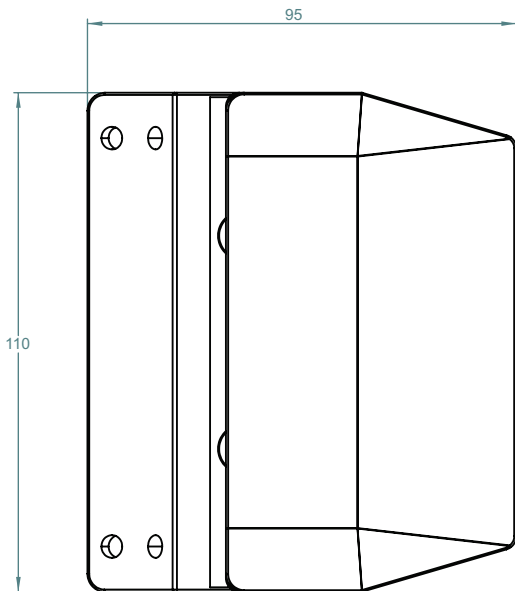
RETROFIT LATCH GLASS TO ROUND POST

TO ORDER SPECIFY:
POLYMER SIDE PULL INC.
 700RP POLISHED FINISH
 700RS SATIN FINISH
 700RB BLACK FINISH

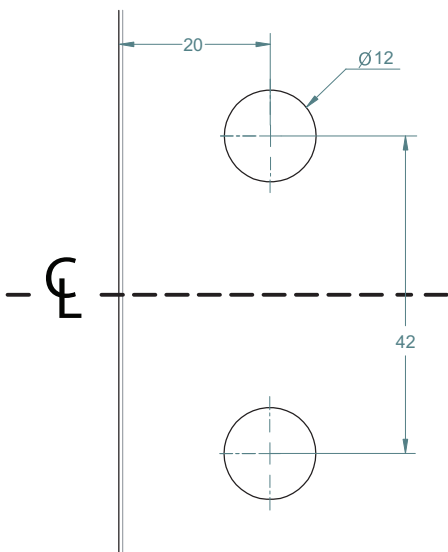
**POLARIS 2205 S/S
 SIDE PULL INC.**
 710RP POLISHED FINISH
 710RS SATIN FINISH
 710RB BLACK FINISH



FRONT ISOMETRIC VIEW

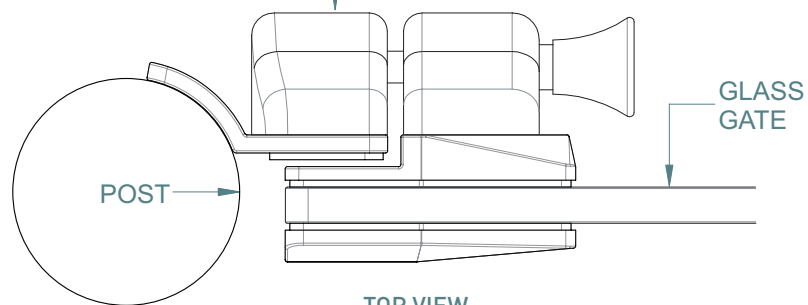


REAR ISOMETRIC VIEW



GLASS GATE HOLES

FITS SIDE PULLS:
 * POLARIS 2205 S/S
 * NATIONWIDE INDUSTRIES
 * DOWNEE
 * D&D TECHNOLOGIES



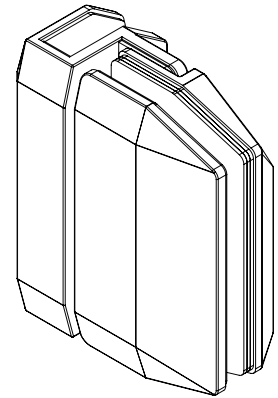
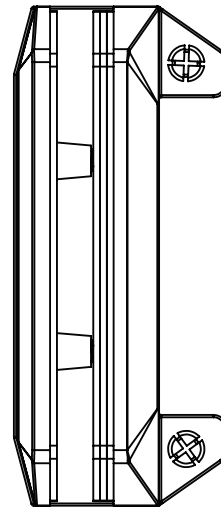
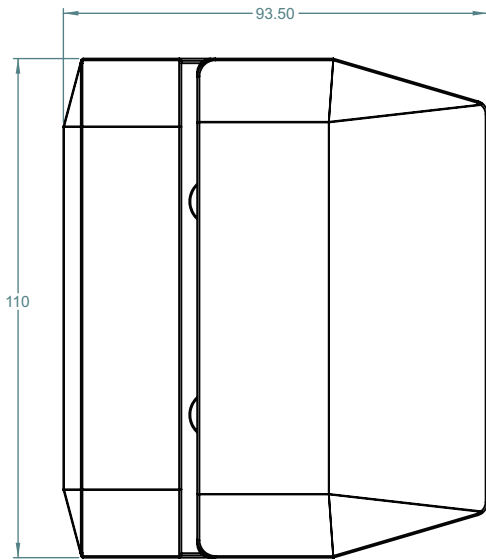
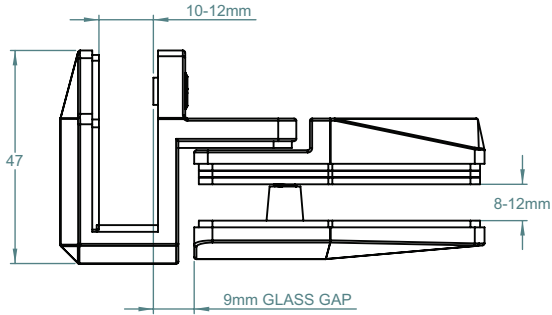
TOP VIEW

RETROFIT LATCH GLASS TO GLASS 90°

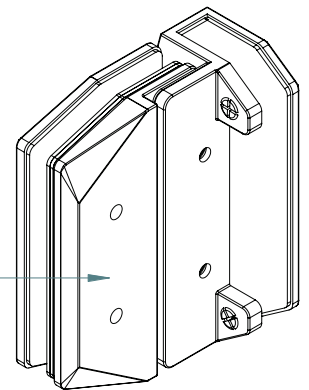
TO ORDER SPECIFY:

POLYMER SIDE PULL INC.
 700G90P POLISHED FINISH
 700G90S SATIN FINISH
 700G90B BLACK FINISH

**POLARIS 2205 S/S
 SIDE PULL INC.**
 710G90P POLISHED FINISH
 710G90S SATIN FINISH
 710G90B BLACK FINISH

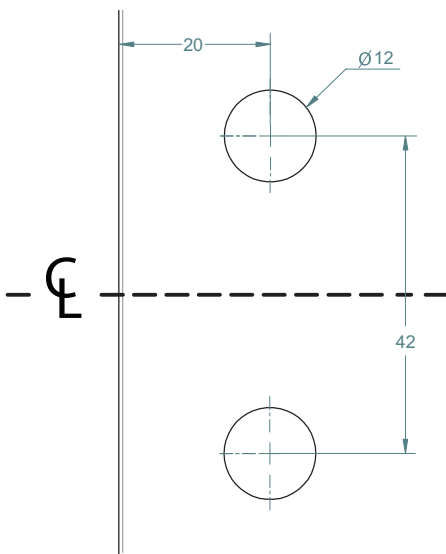


FRONT ISOMETRIC VIEW

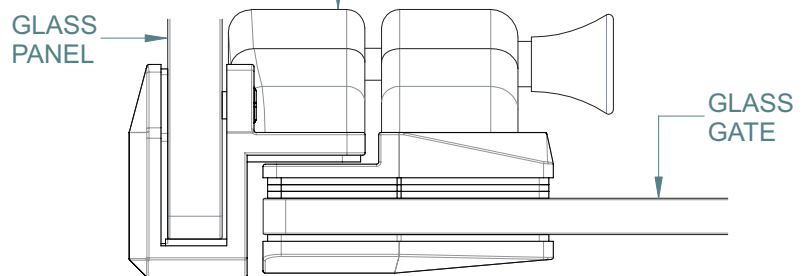


REAR ISOMETRIC VIEW

FITS SIDE PULLS:
 * POLARIS 2205 S/S
 * NATIONWIDE INDUSTRIES
 * DOWNEE
 * D&D TECHNOLOGIES



GLASS GATE HOLES



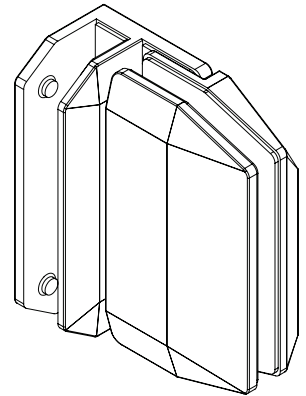
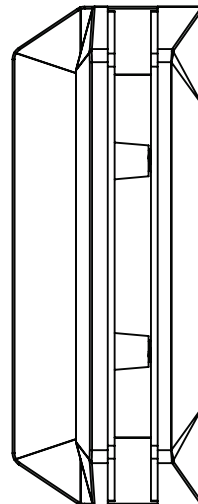
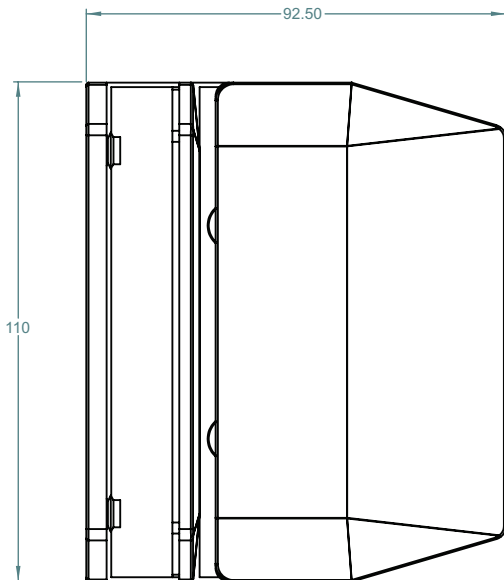
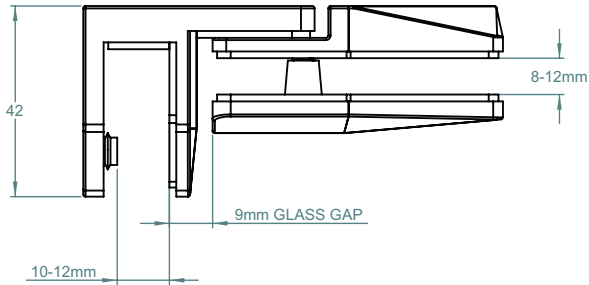
TOP VIEW

RETROFIT LATCH GLASS TO GLASS 90° REVERSE

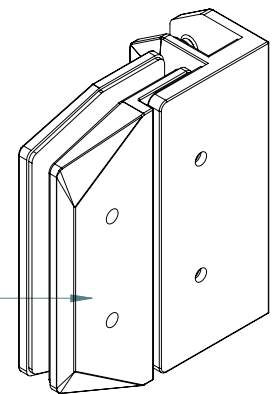
TO ORDER SPECIFY:

POLYMER SIDE PULL INC.
700G90RP POLISHED FINISH
700G90RS SATIN FINISH
700G90RB BLACK FINISH

**POLARIS 2205 S/S
SIDE PULL INC.**
710G90RP POLISHED FINISH
710G90RS SATIN FINISH
710G90RB BLACK FINISH

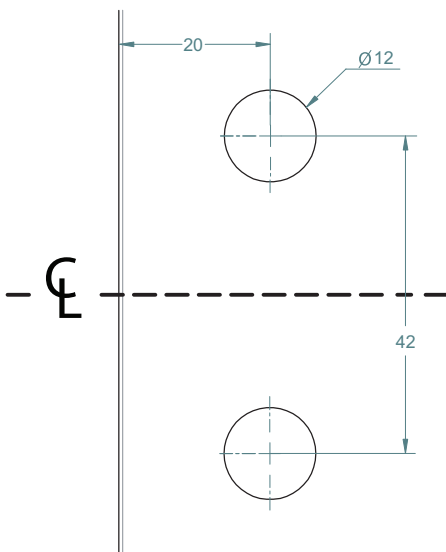


FRONT ISOMETRIC VIEW

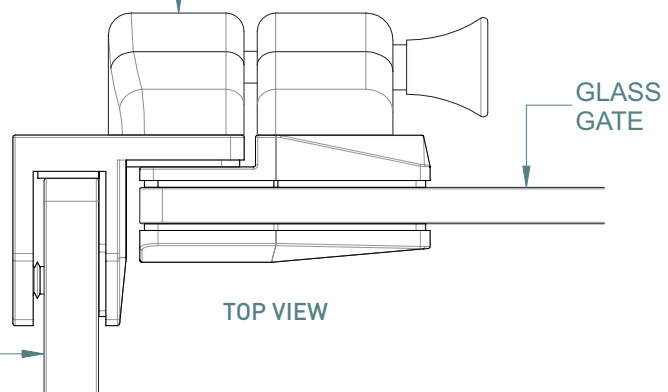


REAR ISOMETRIC VIEW

FITS SIDE PULLS:
* POLARIS 2205 S/S
* NATIONWIDE INDUSTRIES
* DOWNEE
* D&D TECHNOLOGIES

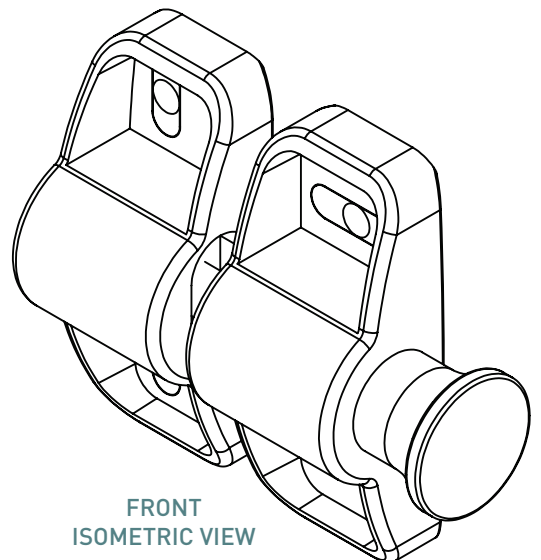
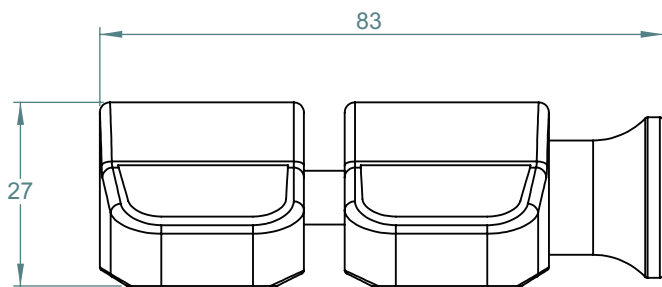
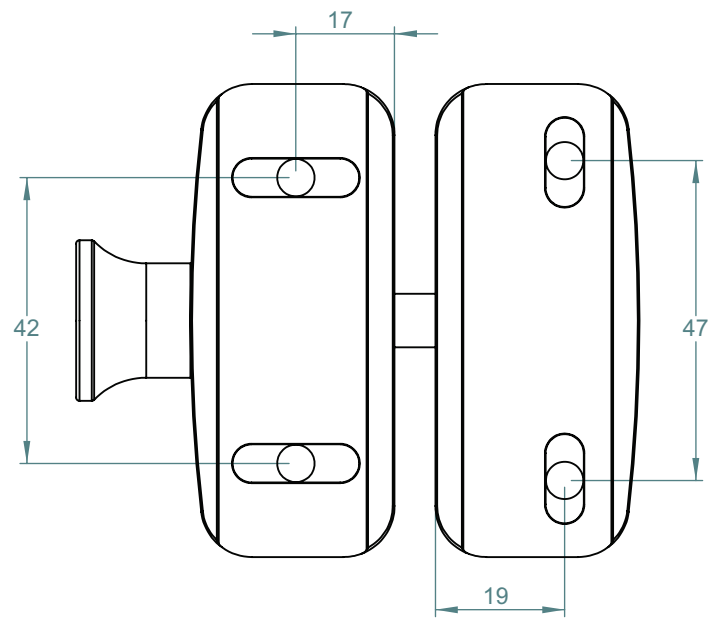
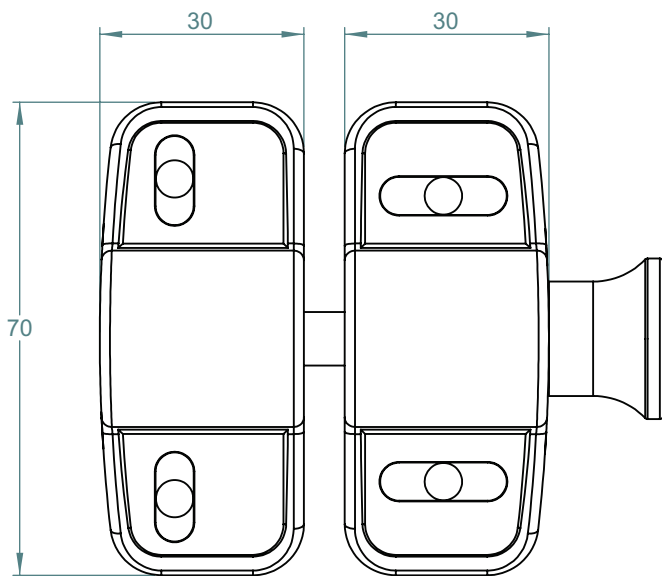


GLASS GATE HOLES



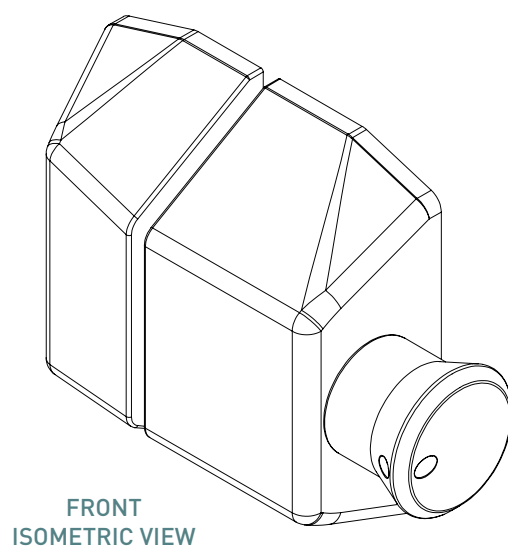
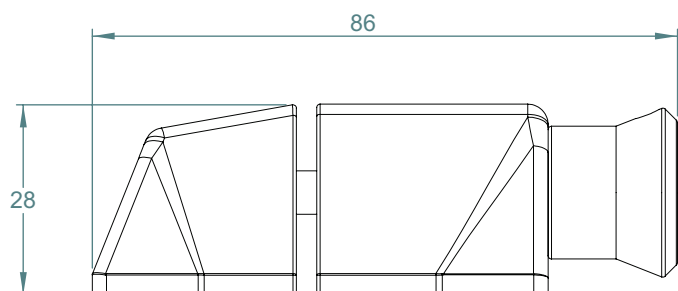
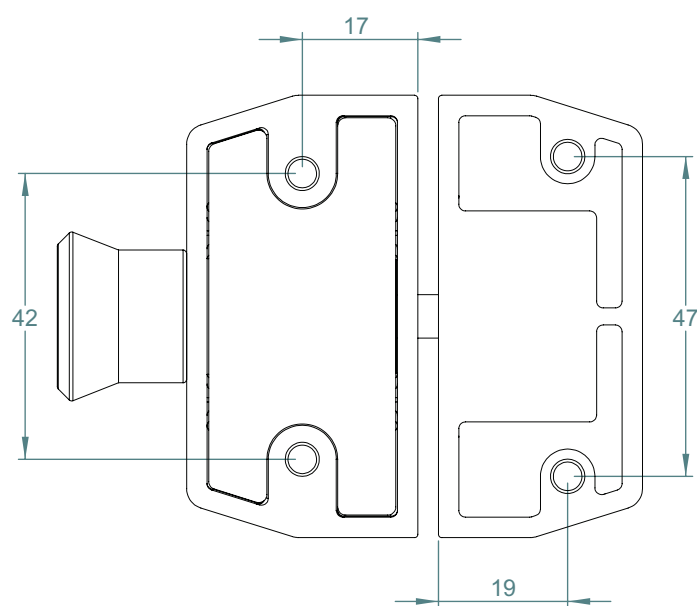
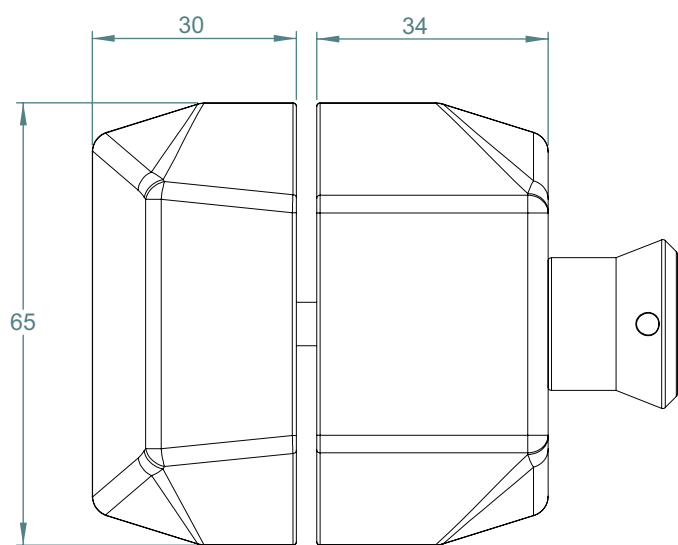
TOP VIEW

POLYMER SIDE PULL LATCH



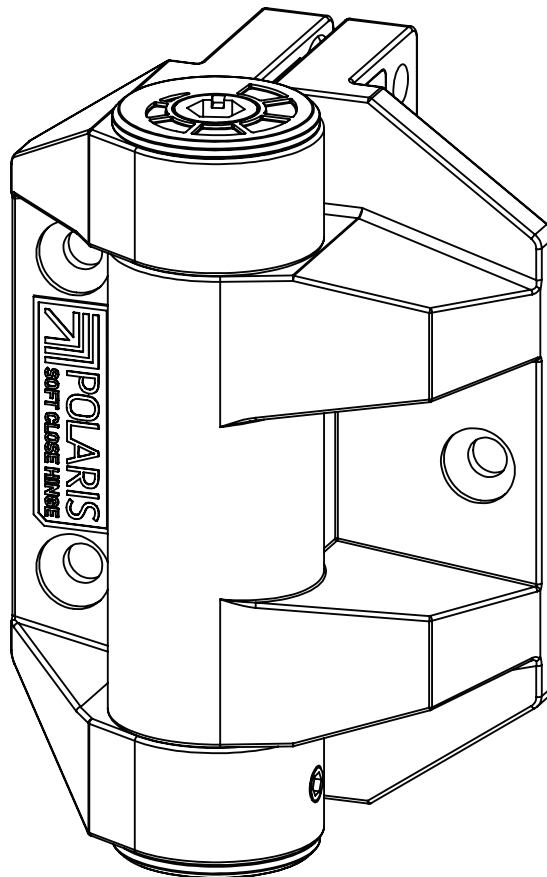
FRONT ISOMETRIC VIEW

POLARIS 2205 S/S SIDE PULL LATCH



POLY HINGE

SOFT CLOSE SPRING HINGE



FINISHES AND FUNCTIONS

- HEAVY DUTY
GLASS FILLED NYLON
- MATT BLACK
- SIMPLE *QUIK-ADJUST*
RATCHET SYSTEM
- SOFT CLOSE
- NON-HOLD OPEN
- ADJUSTABLE SPRING
FORCE



MAX 20kg



- 10°C
+ 50°C

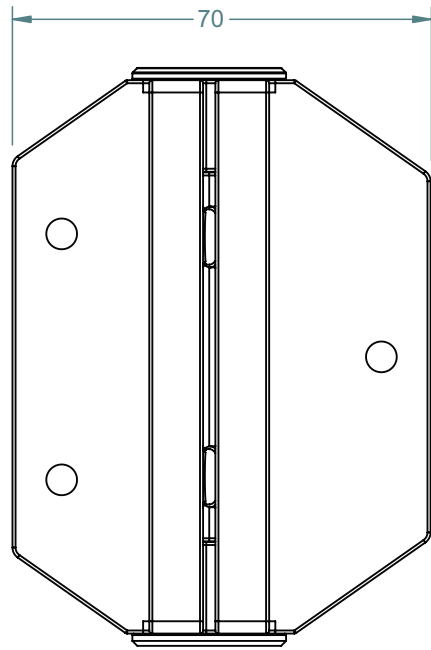


170°

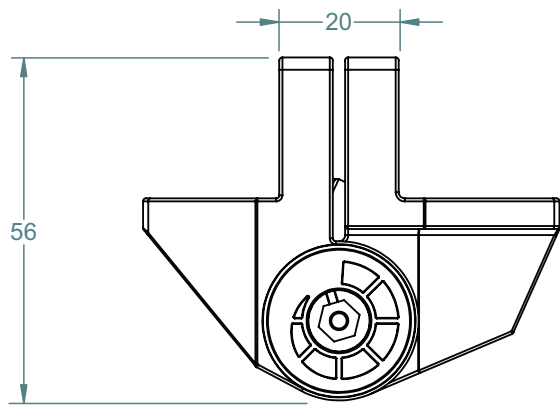
POLY HINGE ADVANTAGES

- SELF-CLOSING SAFETY HINGE FOR LIGHT WEIGHT POOL FENCING
- TO BE USED WITH CHILD PROOF SAFETY LATCH
- COMPLIES WITH AUSTRALIAN STANDARDS FOR POOL GATE HARDWARE
- NATA ACCREDITED AND INDEPENDENTLY TESTED TO 25 000 CYCLES
(NATA = NATIONAL ASSOCIATION OF TESTING AUTHORITIES AUSTRALIA)

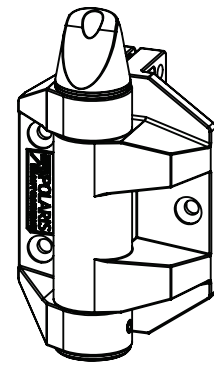
RETRO FIT



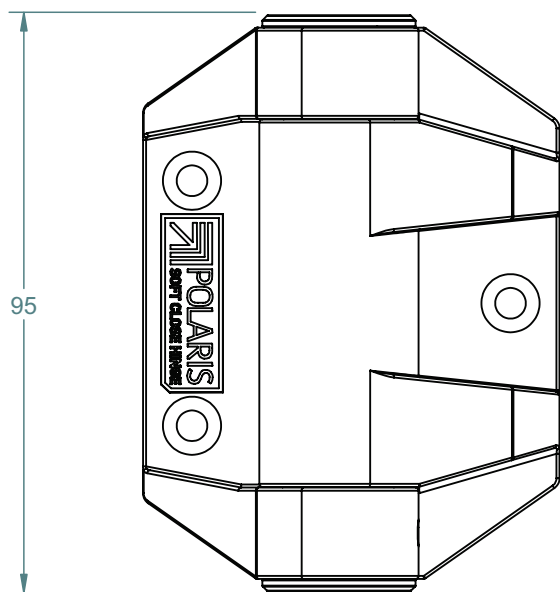
REAR VIEW



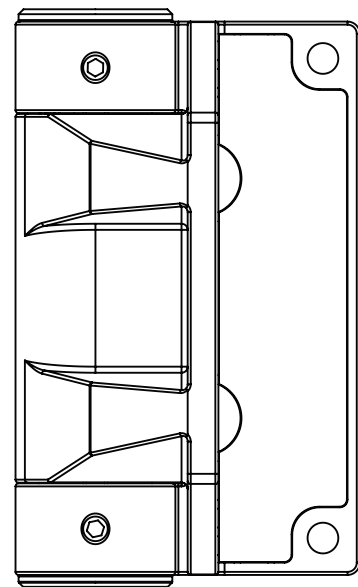
TOP VIEW



INSTALLED SAFETY CAP

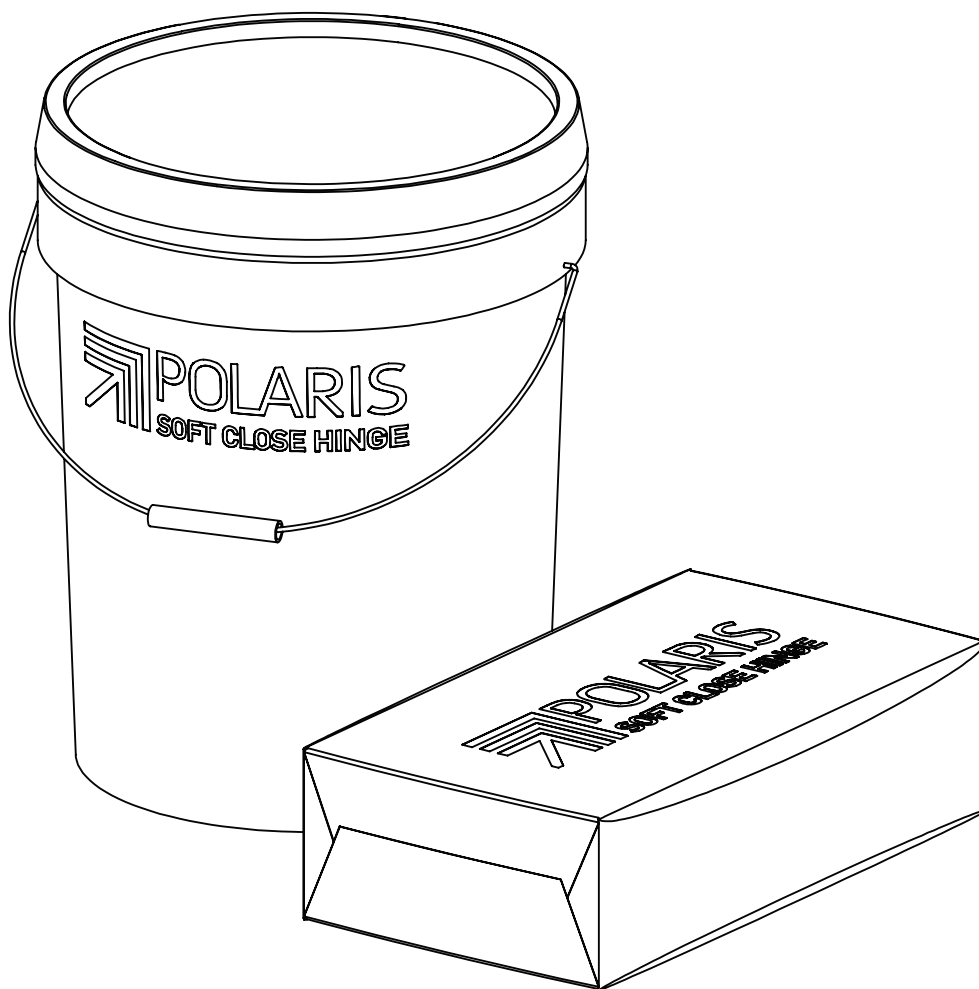


FRONT VIEW



SIDE VIEW

SPIGOT & CHANNEL GROUT ANCHORING CEMENT



APPLICATIONS

- SPIGOTS & CHANNEL FIXINGS
- CEMENTITIOUS GROUTING WHERE PARTICULAR RAPID SET TIMES ARE REQUIRED
- ANCHORING FASTENERS, BARS & FITTINGS



20 Kg BUCKET
10 Kg BAG



MIX RATIO
30% WATER



WET DENSITY
2.0g/cm³



**SEGREGATION
/BLEED**
NONE



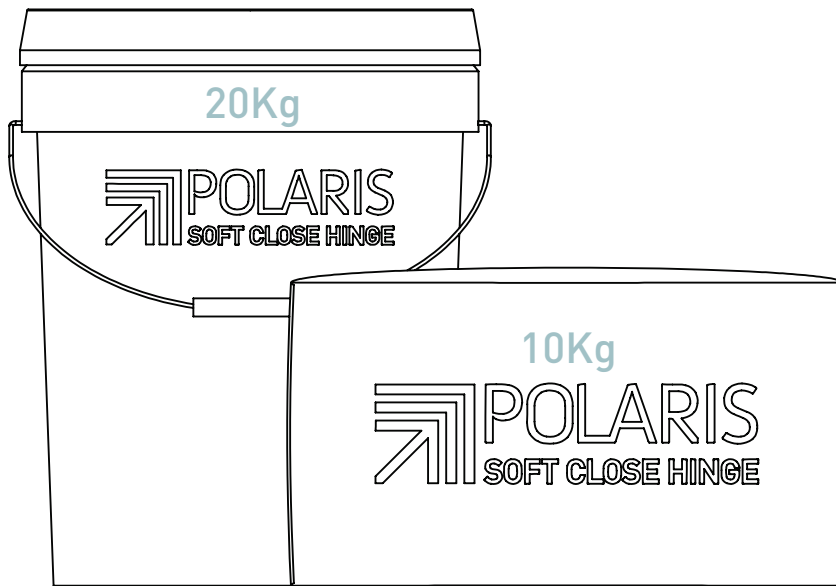
**SMOOTH SELF
LEVELLING
FINISH**



STRENGTH
50 Mpa



**TYPICAL SET
TIME**
15 - 20 min
@ 25°C



FRONT VIEW

TO ORDER SPECIFY:

- PAC PER 20Kg BUCKET*
*EACH BUCKET CONTAINS
2x 10Kg BAGS
- QSB PER 10Kg BAG

PROPERTIES

- SPECIFICALLY FORMULATED FOR GLASS INDUSTRY APPLICATIONS
- AGGREGATE FREE
- RAPID STRENGTH GAIN FACILITATES FOR A RAPID INSTALLATION
- READY TO USE, PRE-MIXED FORMULA, ONLY WATER REQUIRED
- CAN BE MIXED FOR STIFF, MALLEABLE, FLOWABLE OR FLUID APPLICATION
- DUAL EXPANSION COMPENSATES FOR SHRINKAGE IN PLASTIC & HARDENED STATES
- LOWER WATER/CEMENT RATIO REDUCES DRYING SHRINKAGE, INCREASES DURABILITY AND ALSO REDUCES PERMEABILITY

THE GROUT HAS VARYING FACTORS THAT EFFECT THE SET TIME.
ALL TIMES ARE AN ESTIMATED GUIDE ONLY.

FACTORS TO CONSIDER WHEN USING THE GROUT:

- AMBIENT AIR TEMPERATURE
- WATER TEMPERATURE
- WATER VOLUME
- GROUT POWDER TEMPERATURE
- MIX QUANTITY (LARGER AMOUNTS ACTUAL SPEED UP SET TIME)

SET TIMES

10 - 15 min @ 35°C
15 - 20 min @ 25°C
30 - 40 min @ 10°C

SET TIMES ARE BASED ON THE AIR,
WATER AND POWDER TEMPERATURES
BEING AT 22°C AND THE VOLUME BEING
MIXED IS A 5KG BATCH

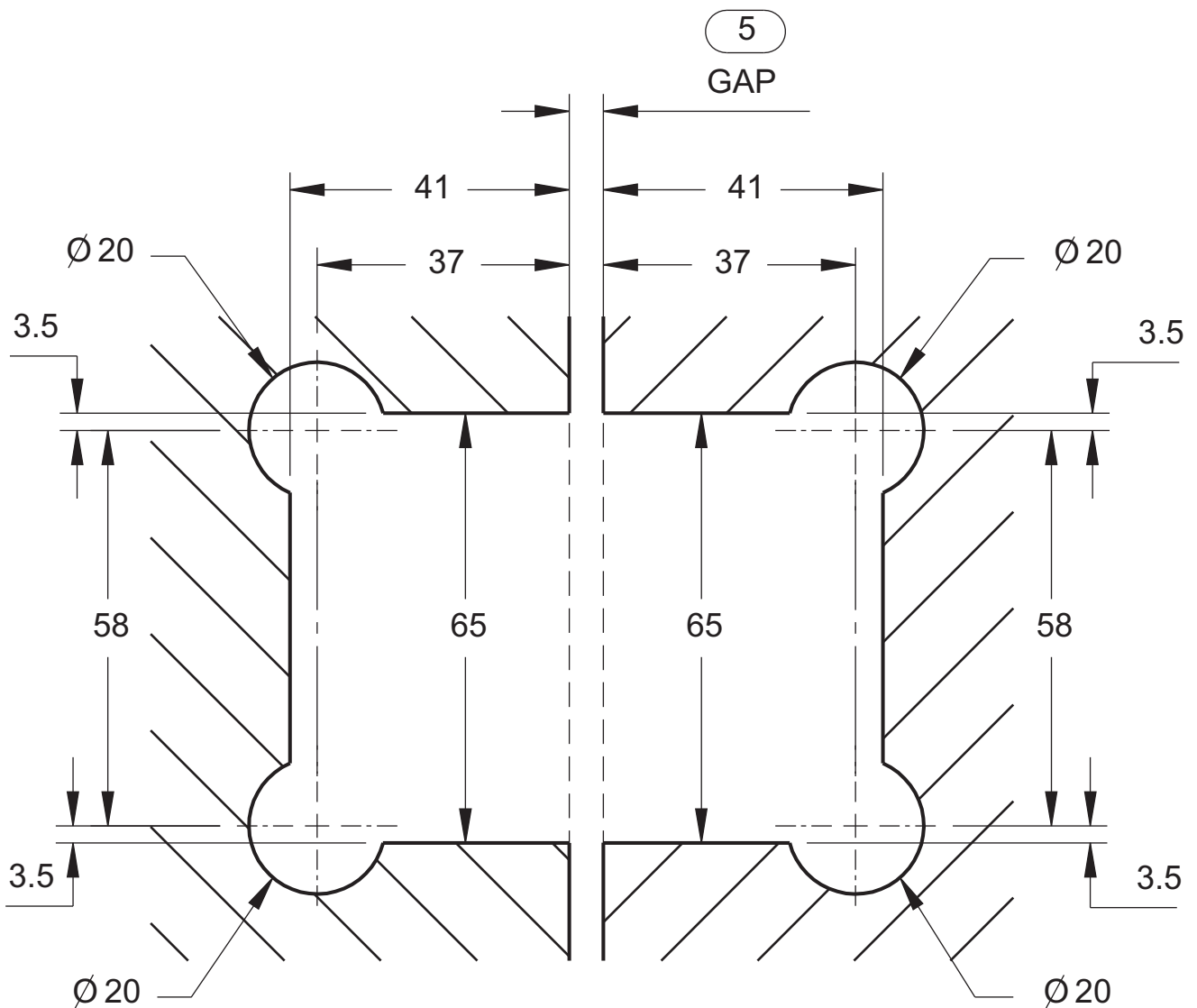
STRENGTH TIMES

10 MPa @ 2 hours
30 MPa @ 24 hours
40 MPa @ 7 days
50 MPa @ 28 days

GLASS PREPARATION

125 HINGE

GLASS TO GLASS

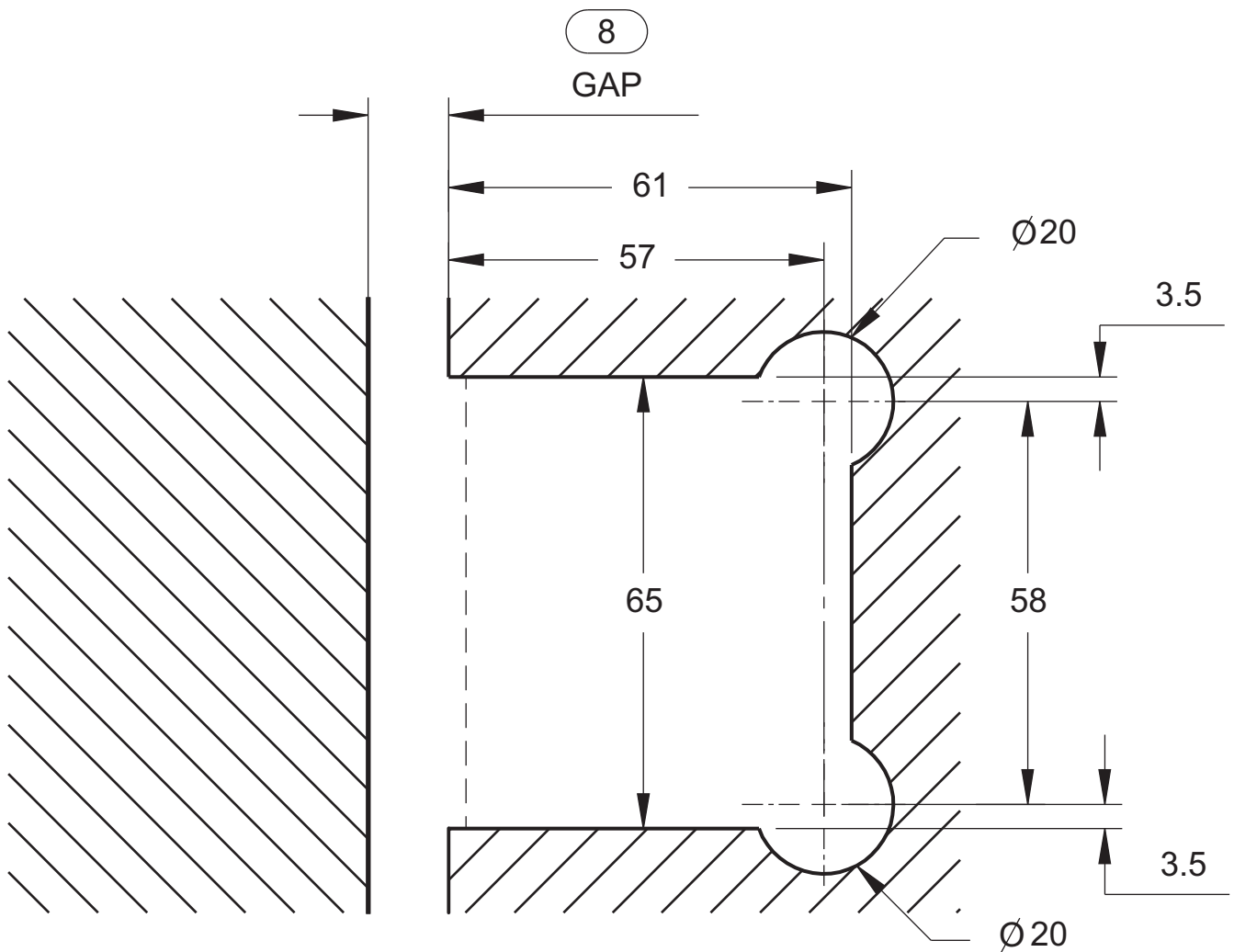


GLASS CUT-OUT TOP AND BOTTOM
(ALL DIMENSIONS IN MILLIMETERS)

GLASS PREPARATION

125 HINGE

GLASS TO WALL/POSTS

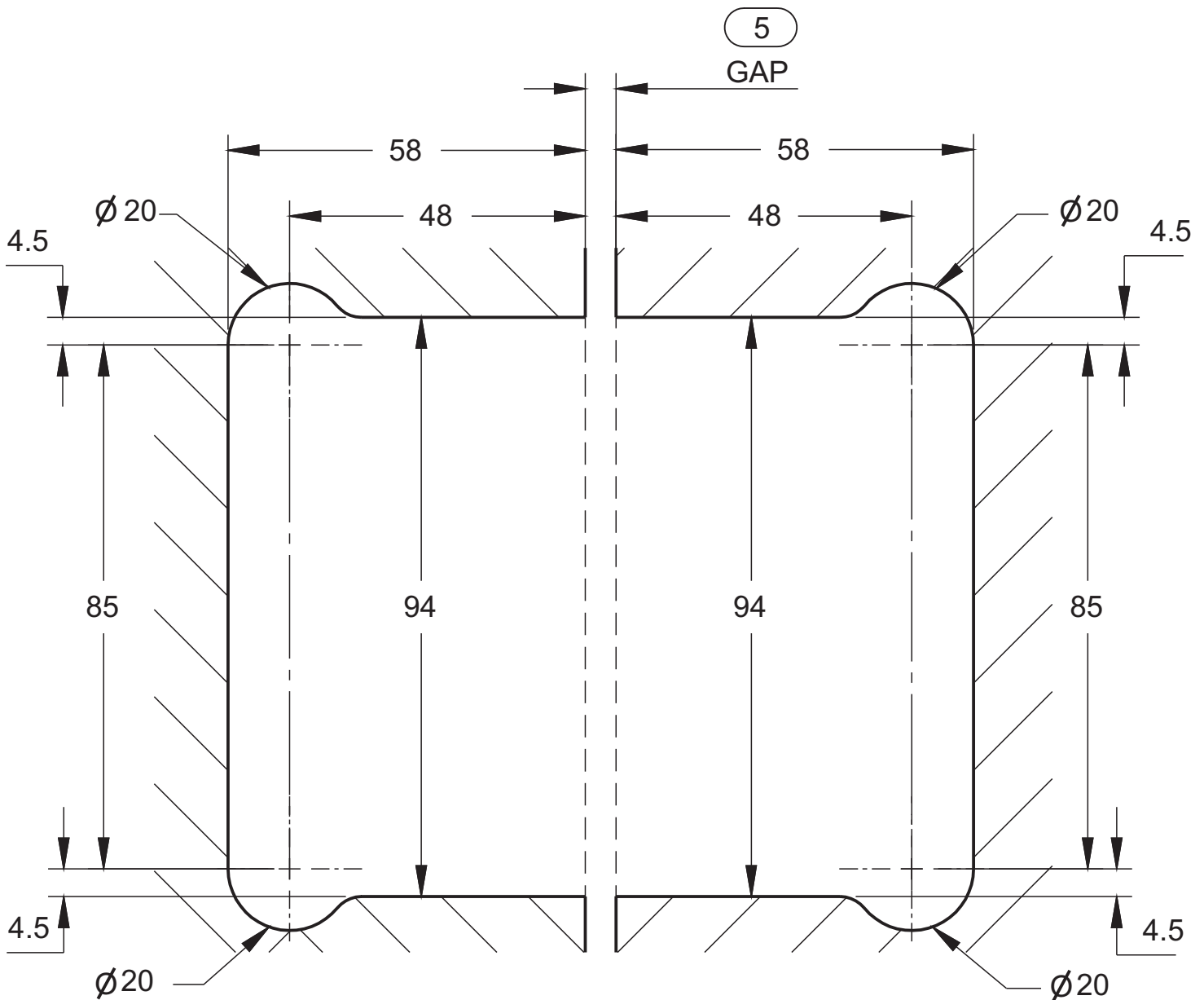


GLASS CUT-OUT TOP AND BOTTOM
(ALL DIMENSIONS IN MILLIMETERS)

GLASS PREPARATION

130 HINGE

GLASS TO GLASS

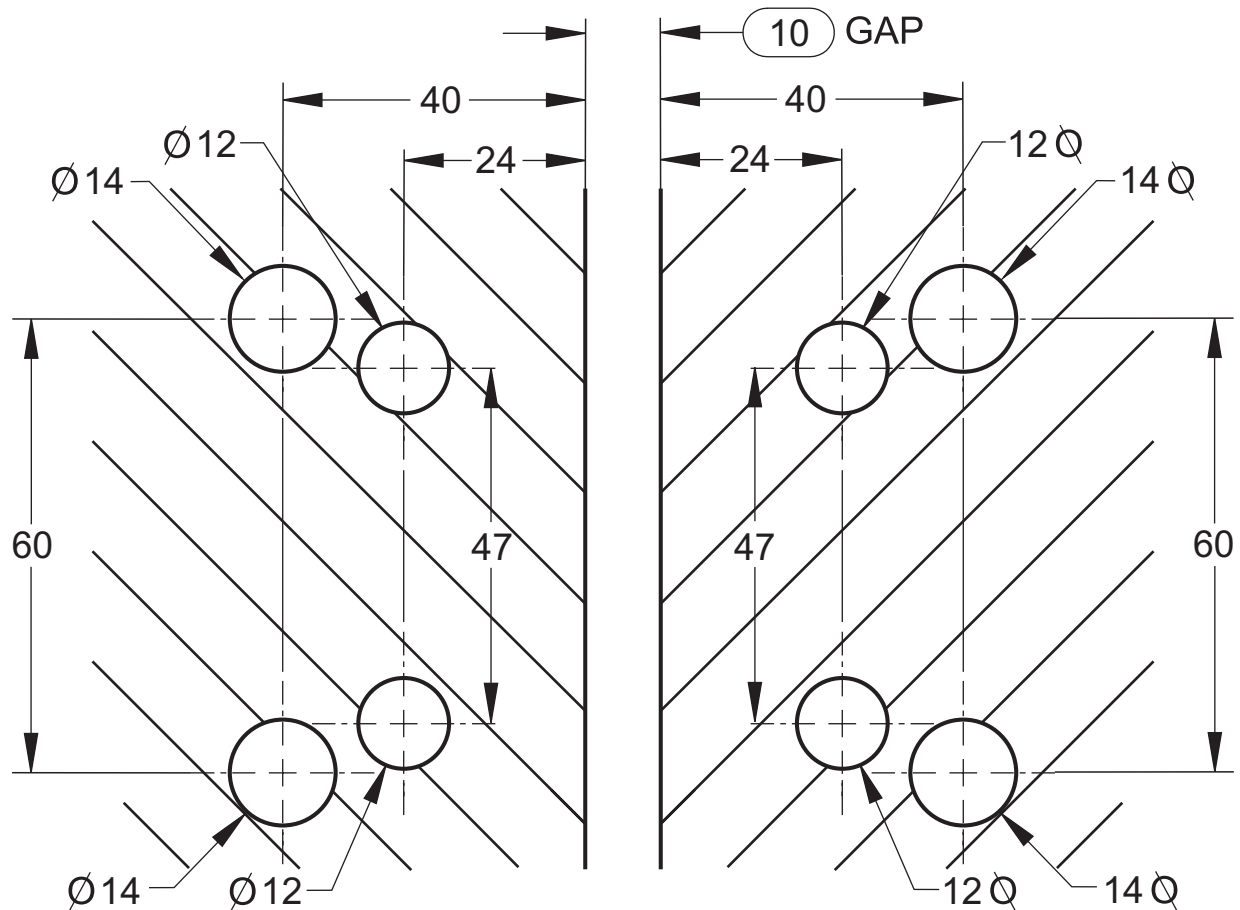


GLASS CUT-OUT TOP AND BOTTOM
(ALL DIMENSIONS IN MILLIMETERS)

GLASS PREPARATION

155 HINGE

GLASS TO GLASS

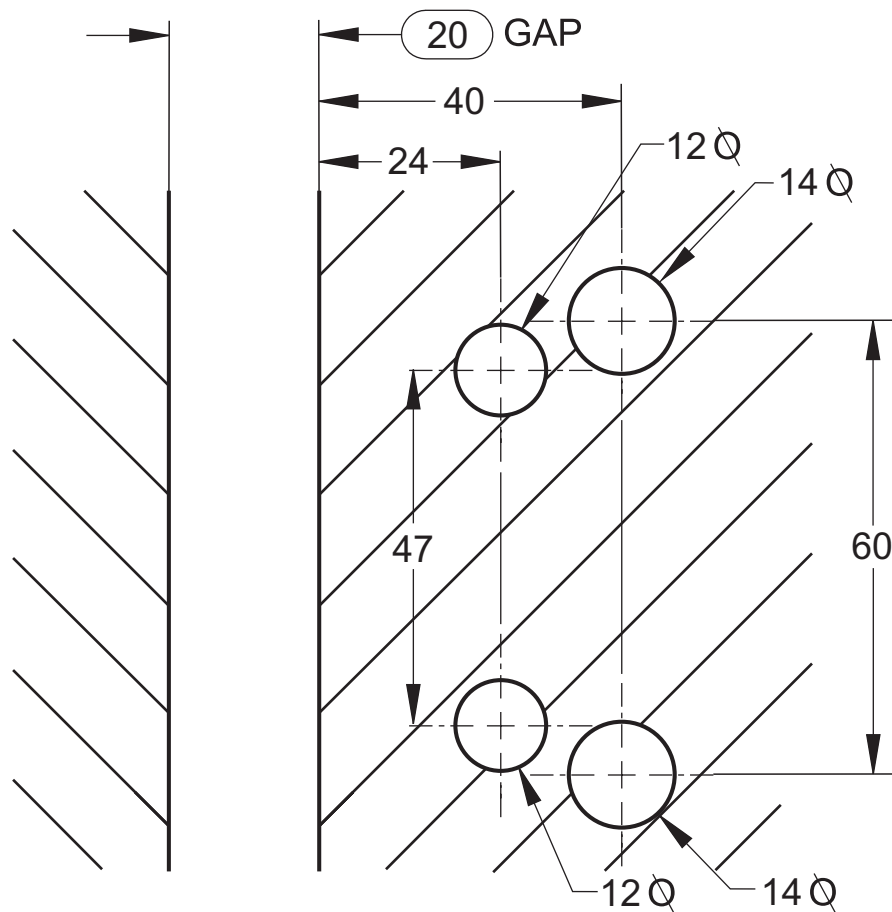


GLASS CUT-OUT TOP AND BOTTOM
(ALL DIMENSIONS IN MILLIMETERS)

GLASS PREPARATION

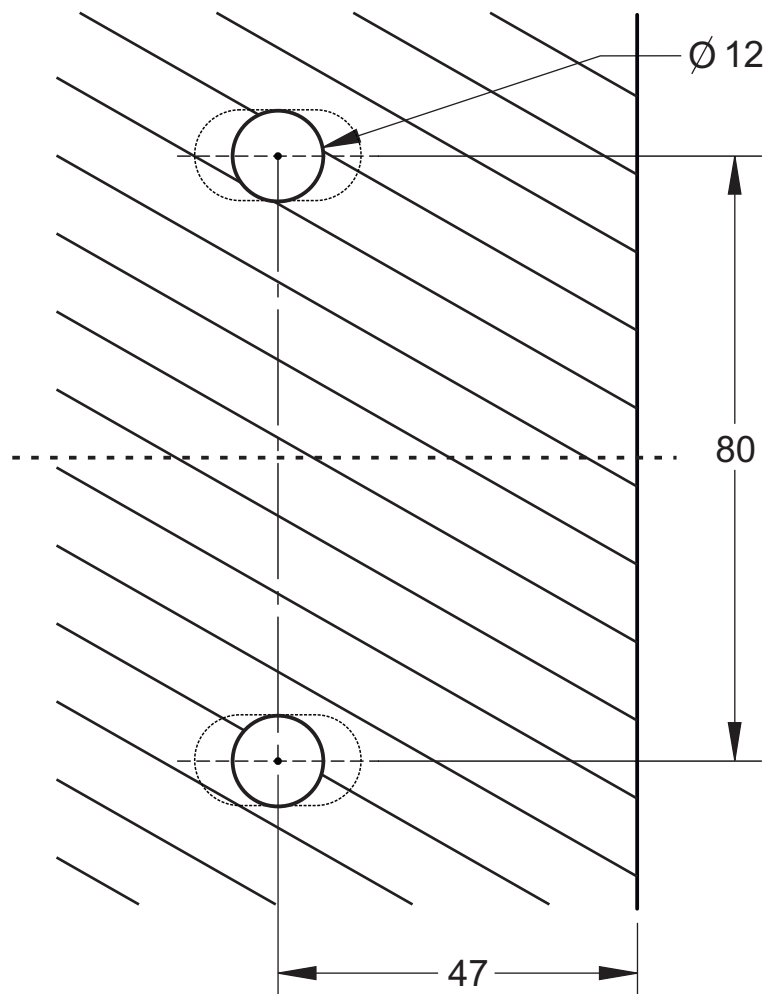
155 HINGE

GLASS TO WALL/POSTS



GLASS CUT-OUT TOP AND BOTTOM
(ALL DIMENSIONS IN MILLIMETERS)

GLASS PREPARATION 600 SERIES LATCH HOLES GLASS GATES/DOORS

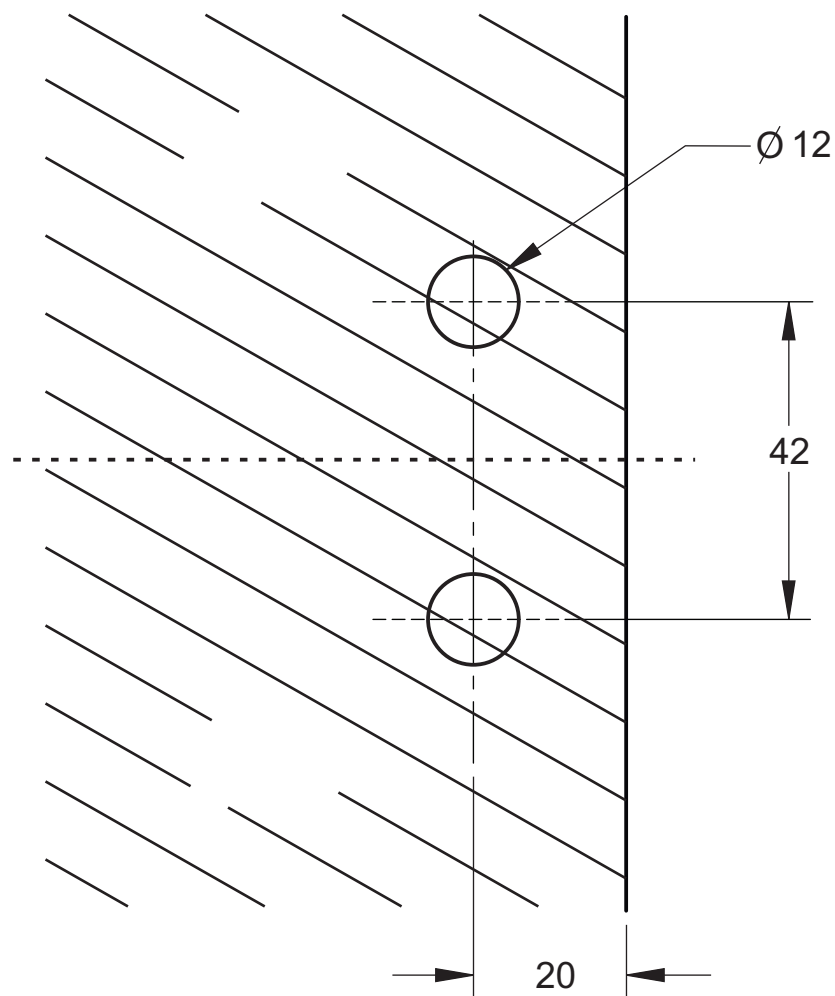


[ALL DIMENSIONS IN MILLIMETERS]

GLASS PREPARATION

700 SERIES LATCH HOLES

GLASS GATES/DOORS



[ALL DIMENSIONS IN MILLIMETERS]

GLASS HARDWARE AUSTRALIA

6/4 STOCKYARD PLACE
WEST GOSFORD NSW 2250
AUSTRALIA

MORE PRODUCTS TO BE AVAILABLE SOON
PLEASE, CHECK OUR WEBSITE FOR MORE INFORMATION
www.polarishinge.com.au
