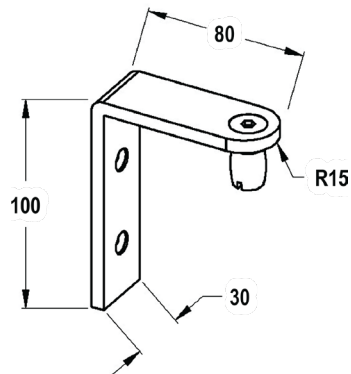




Product Image



Dimensions

DETAILS

Wall / Square Post Mount Pivot Arm

- 10mm clearance between gate & wall/post

FINISHES

- Polished
- Satin

Base material: 316 Stainless Steel