



TM

P 02 9522 3983

E customer.service@mfgs.com.au

www.mfgs.com.au



MODERN FRAMELESS GLASS SYSTEMS

© Copyright

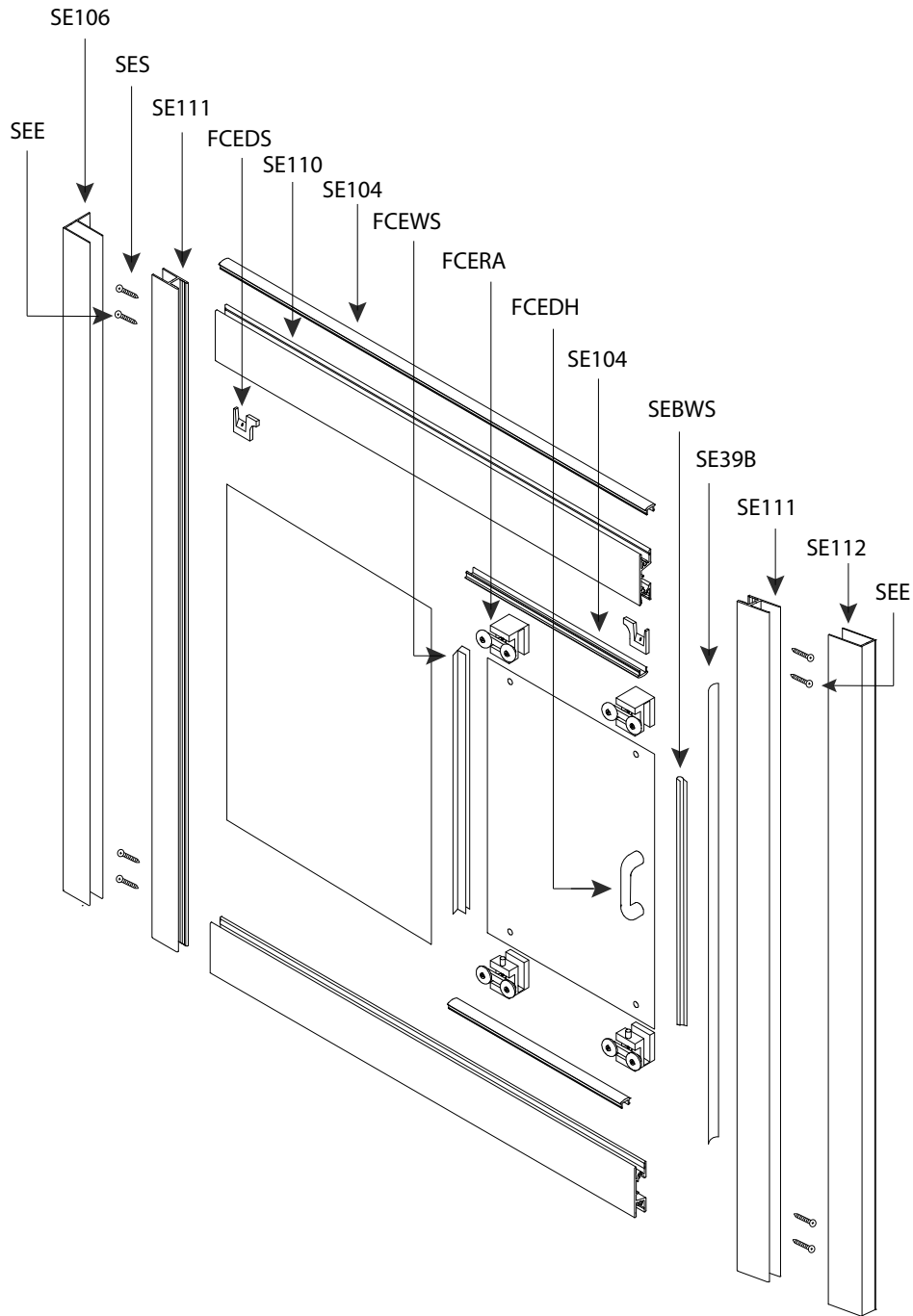
SERIES 7500™ FRAMELESS SLIDER

PERIMETER FRAMED SLIDING SHOWER SCREEN SYSTEM WITH FRAMELESS DOOR

GENERAL ASSEMBLY SCHEDULE (Guide Only)

(Drawings Not To Scale)

FRONT ONLY WITH FIXED PANEL
(Isometric)



DIAS SERIES 7500™ FRAMELESS SLIDER is a Trade Mark (No.1782420) of Dias Aluminium Products Pty. Ltd. (Trade Mark No.'s, 611384, 641905, 649629) A.C.N. 006 422 500 A.B.N. 96 299 380 495 and is permitted for use by authorised Dias distributors. © 2017 Dias Aluminium Products Pty. Ltd. All rights reserved. Excluding authorised Dias distributors, no part of this document may be reproduced, transmitted in any form by any means, electronic, electrostatic, magnetic tape, mechanical, photocopying, recording or otherwise, without permission by Dias Aluminium Products Pty. Ltd.



TM

P 02 9522 3983

E customer.service@mfgs.com.au

www.mfgs.com.au



MODERN FRAMELESS
GLASS SYSTEMS

© Copyright

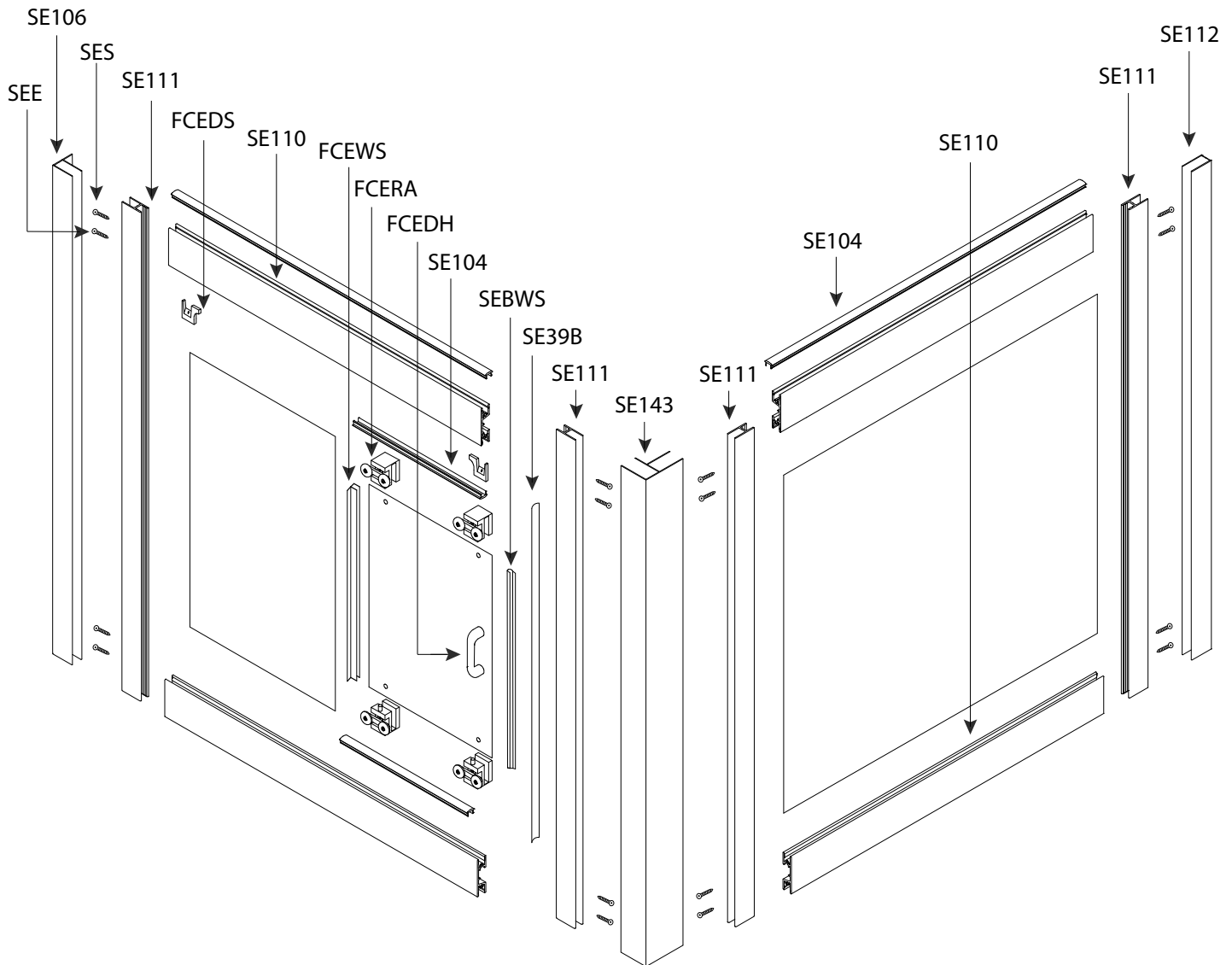
SERIES 7500™ FRAMELESS SLIDER

PERIMETER FRAMED SLIDING SHOWER SCREEN SYSTEM WITH FRAMELESS DOOR

GENERAL ASSEMBLY SCHEDULE (Guide Only)

(Drawings Not To Scale)

DOOR WITH FIXED PANEL & 90° RETURN (Isometric)



DIAS SERIES 7500™ FRAMELESS SLIDER is a Trade Mark (No.1782420) of Dias Aluminium Products Pty. Ltd. (Trade Mark No.'s, 611384, 641905, 649629) A.C.N. 006 422 500 A.B.N. 96 299 380 495 and is permitted for use by authorised Dias distributors. © 2017 Dias Aluminium Products Pty. Ltd. All rights reserved. Excluding authorised Dias distributors, no part of this document may be reproduced, transmitted in any form by any means, electronic, electrostatic, magnetic tape, mechanical, photocopying, recording or otherwise, without permission by Dias Aluminium Products Pty. Ltd.



TM

P 02 9522 3983

E customer.service@mfgs.com.au

www.mfgs.com.au



MODERN FRAMELESS GLASS SYSTEMS

© Copyright

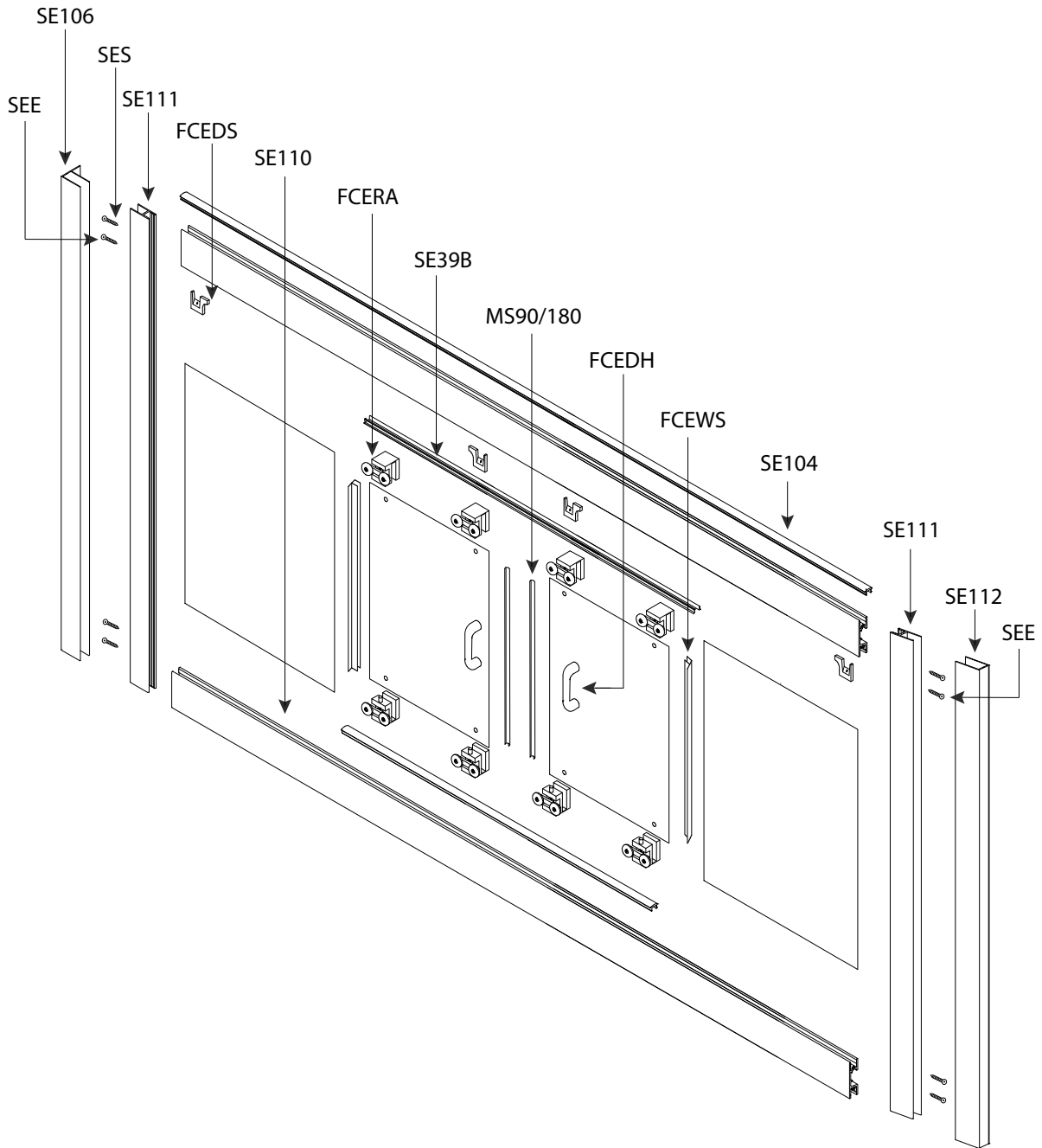
SERIES 7500™ FRAMELESS SLIDER

PERIMETER FRAMED SLIDING SHOWER SCREEN SYSTEM WITH FRAMELESS DOOR

GENERAL ASSEMBLY SCHEDULE (Guide Only)

(Drawings Not To Scale)

FRONT ONLY 2 DOORS WITH 2 FIXED PANELS
(Isometric)



DIAS SERIES 7500™ FRAMELESS SLIDER is a Trade Mark (No.1782420) of Dias Aluminium Products Pty. Ltd. (Trade Mark No.'s, 611384, 641905, 649629) A.C.N. 006 422 500 A.B.N. 96 299 380 495 and is permitted for use by authorised Dias distributors. © 2017 Dias Aluminium Products Pty. Ltd. All rights reserved. Excluding authorised Dias distributors, no part of this document may be reproduced, transmitted in any form by any means, electronic, electrostatic, magnetic tape, mechanical, photocopying, recording or otherwise, without permission by Dias Aluminium Products Pty. Ltd.